



Excellent Integrated System Limited

Stocking Distributor

Click to view price, real time Inventory, Delivery & Lifecycle Information:

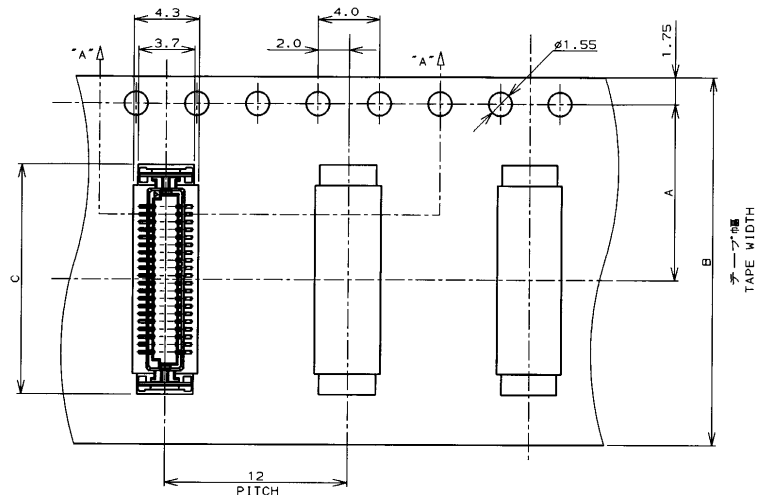
[TE Connectivity AMP Connectors](#)
[4-353689-0](#)

For any questions, you can email us directly:

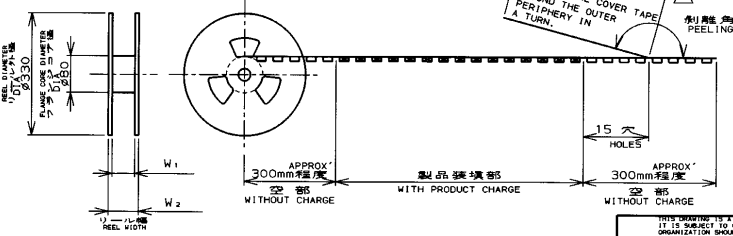
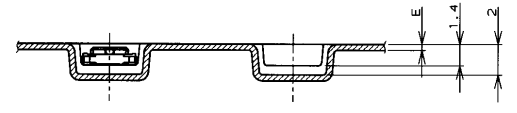
sales@integrated-circuit.com

THIS DRAWING IS UNPUBLISHED. RELEASED FOR PUBLICATION . 19 .
 (C) COPYRIGHT 19 BY AMP INCORPORATED. ALL RIGHTS RESERVED.

REVISONS		REVISED	ECN	DATE	DWN	APVD
J						
P	LYR	DESCRIPTION	ECN	DATE	DWN	APVD
	O	RELEASED	FJ00-5477-96	12/5/96	S.K	S.K
	A	REVISED	FJ00-0116-97	1/27/96	S.K	KA



TOP OF REEL
 引出し方向

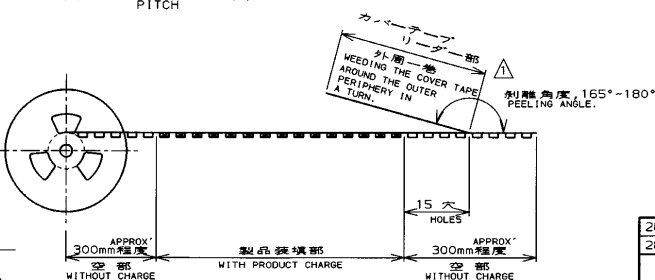
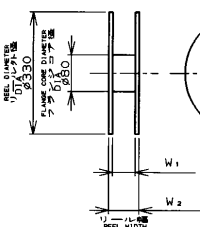
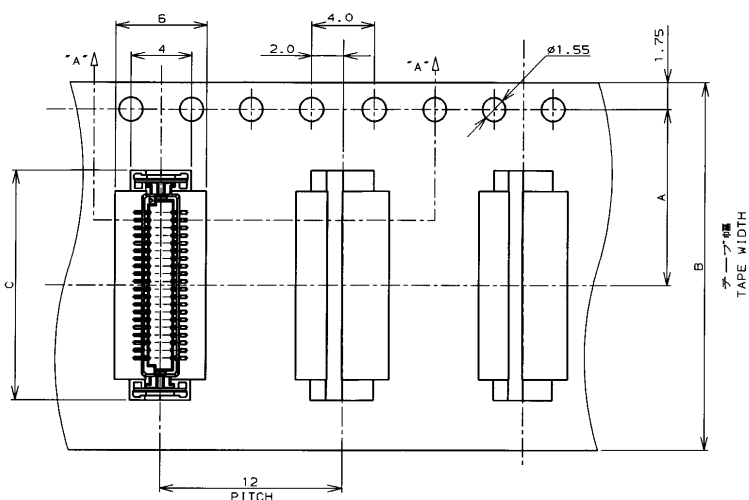


20.4	16.4	0.4	9.7	16	7.5	1500	20	2-353688-0	2-353689-0
W2	W1	E	C	B	A	数量 (個)	極数 Pos.	コネクタ型番 (L/P)	リール番号 コネクタ型番 TAPING P/M
THIS DRAWING IS A CONNECTOR DRAWING FOR THE INTERMEDIATE PRODUCT. IT IS SUBJECT TO CHANGE AND THE CONTROLLING ENGINEERING ORGANIZATION SHOULD BE CONTACTED FOR THE LATEST REVISION.									
DIMENSIONS: 単位: mm					TOLERANCES UNLESS OTHERWISE SPECIFIED: 一般公差 10μ ± 0.2 30μ ± 0.25 100μ ± 0.3 ANGLE: ±3°				
MATERIAL: 材料					FINISH: 仕上				
DATE: 12/5 '96 DRAWN: S. KAJINUMA CHK: K. ASAKAWA					NAME: KAWASAKI AMP Kawasaki, Japan				
DATE: 1/27 '97 DRAWN: S. KAJINUMA CHK: K. ASAKAWA					NAME: AMP ON TAPING (EMBOSS) 0.5mm PITCH FS CONN. TAB ASSEMBLY WITH KEY WITHOUT BOSS & POLYIMIDE FILM				
DATE: --- DRAWN: --- CHK: ---					NAME: --- APPLICATION SPEC: --- PRODUCT SPEC: ---				
DATE: --- DRAWN: --- CHK: ---					NAME: --- WEIGHT: --- CUSTOMER DRAWING				
DATE: --- DRAWN: --- CHK: ---					NAME: --- SIZE: A3 CASE CODE: 00779 DRAWING NO: 353689				
DATE: --- DRAWN: --- CHK: ---					NAME: --- SCALE: --- SHEET 1 OF 2 REV A				

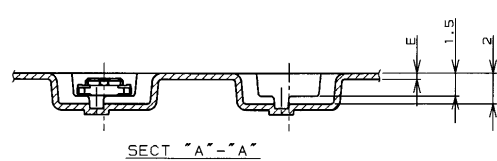


THIS DRAWING IS UNPUBLISHED. RELEASED FOR PUBLICATION .19
 © COPYRIGHT 19 BY AMP INCORPORATED. ALL RIGHTS RESERVED.

LOC		DIST		REVISIONS						
J				DESCRIPTION 変更		ECN	DATE	DWN	APVD	
				P	LTR	DESCRIPTION	ECN	DATE	DWN	APVD
						SEE SHEET 1 OF 2				



TOP OF REEL
 引出し方向



28.4	24.4	0.4	15.0	24	11.5	1500	40	4-353688-0	4-353689-0
28.4	24.4	0.4	12.5	24	11.5	1500	30	3-353688-0	3-353689-0
W2	W1	E	C	B	A	数量 (ヶ)	極数	コネクタ型番 (シールド)	リール巻コネクタ型番 TAPING P/N
						DTY/REEL	Pos.	CONNECTOR P/N (L/P)	

THIS DRAWING IS A CONTROLLED DOCUMENT FOR AMP INCORPORATED. IT IS SUBJECT TO CHANGE AND THE CONTROLLING ENGINEERING ORGANIZATION SHOULD BE CONTACTED FOR THE LATEST REVISION.		AMP 株式会社 Kawasaki, Japan	
DIMENSIONS: mm		TOLERANCES UNLESS OTHERWISE SPECIFIED 一般公差: 10μ ±0.2, 30μ ±0.25, 100μ ±0.3, 角度: ±3°	
MATERIAL: 材料		FINISH: 仕上	
CUSTOMER DRAWING		ON TAPING (EMBOSS) 0.5mm PITCH FS CONN. TAB ASSEMBLY WITH KEY WITHOUT BOSS & POLYIMIDE FILM	
		SIZE: A3 CASE CODE: 00779 DRAWING NO: 353689	
		SCALE: --- SHEET 2 OF 2 REV A	