

## Excellent Integrated System Limited

Stocking Distributor

Click to view price, real time Inventory, Delivery & Lifecycle Information:

[TE Connectivity AMP Connectors](#)  
[221402-2](#)

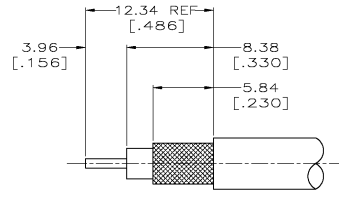
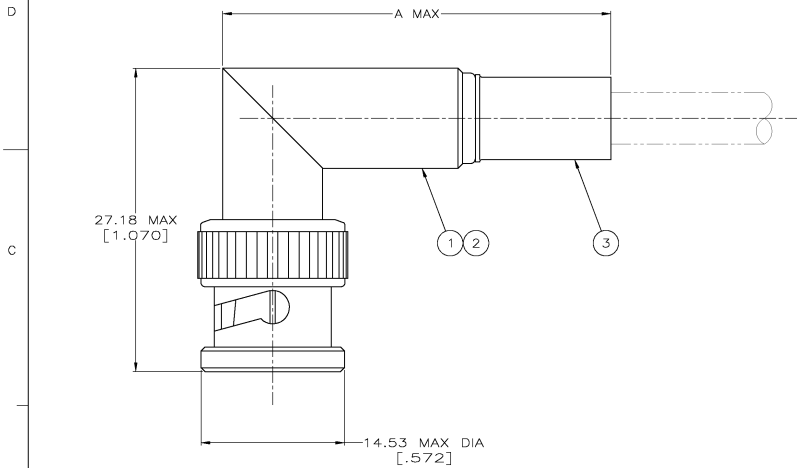
For any questions, you can email us directly:

[sales@integrated-circuit.com](mailto:sales@integrated-circuit.com)

THIS DRAWING IS UNCLASSIFIED RELEASED FOR PUBLICATION  
 © COPYRIGHT 19 BY AMP INCORPORATED. ALL RIGHTS RESERVED.

LOC	REV	REVISIONS	DATE	CHK	APPD
AJ	16				
		DESCRIPTION			
		L REVISED PER 0514-0485-02	15OCT03	GV	KW

- ⚠ USE WITH PRO-CRIMPER II
- ⚠ SEE SEPARATE RESTRICTED CUSTOMER DRAWING WITH THIS PART NUMBER.
- 3. USE INSTRUCTION SHEET 9781



RECOMMENDED STRIP LENGTH

AT&T 735	58174-1	39.88 [1.570]	3-328666-3	221200-9	413947-2	221402-7
OBSELETE -	-	-	-	-	-	221402-6
OBSELETE BELDEN 8281, 9231 AND WECO 728	220189-7	41.78 [1.645]	1-50427-6	2-221200-5	413947-3	221402-5
BELDEN 9145	58085-1	39.88 [1.570]	50428-2	2-221200-5	413947-6	221402-4
SUPSD BY 413588-3 BELDEN 8218	58174-1	39.88 [1.570]	2-329461-7	221200-9	413947-2	221402-3
RG-59/U, 59A/U, 59B/U	58085-1	39.88 [1.570]	50428-2	221200-3	413947-6	221402-2
BELDEN 9248 & MADISON W/18AWG C/C	58086-1	39.88 [1.570]	50427-6	3-221200-2	413947-5	221402-1
CABLE	DIE SET	A	③ FERRULE QTY=1	② CONTACT QTY=1	① PLUG ASSEMBLY QTY=1	PART NUMBER

DIMENSIONS: mm (INCHES)		TO AMPS' SPEC. (SEE OTHERS' SPEC. FOR TOLERANCES)		DWN J. LIPPERT CHK M. PHILLIPS APPD M. PHILLIPS NAME PRODUCT SPEC 108-12020 APPLICATION SPEC	AMP Incorporated Harrisburg, PA 17105-3608
0	PLC	±		SIZE	CAGE CODE
1	PLC	±		A2	00779
2	PLC	±	±0.41(0.016)	DRAWING NO	©=221402
3	PLC	±		RESTRICTED TO	
4	PLC	±		SCALE	4:1
5	PLC	±		SHEET	1 OF 1
6	PLC	±		REV	L
MATERIAL				CUSTOMER DRAWING	