

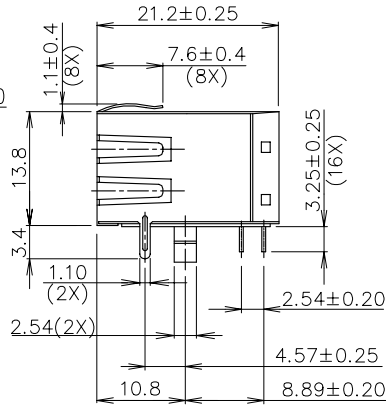
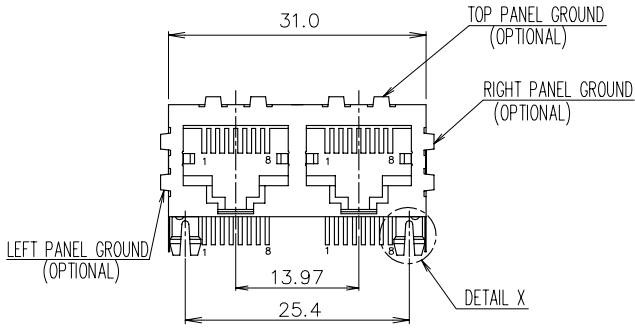
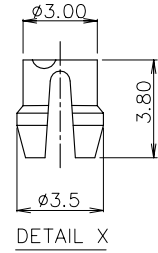
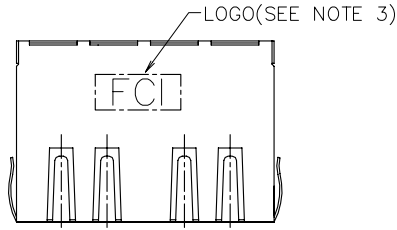
Excellent Integrated System Limited

Stocking Distributor

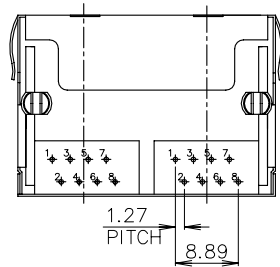
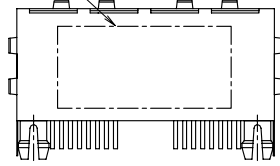
Click to view price, real time Inventory, Delivery & Lifecycle Information:

[FCI](#)
[10118061-5005010LF](#)

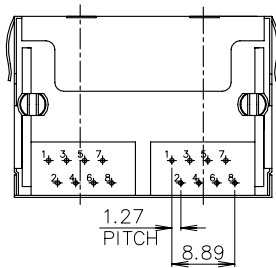
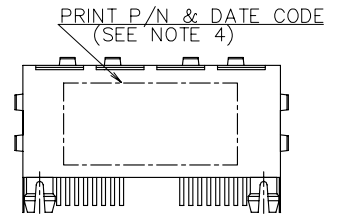
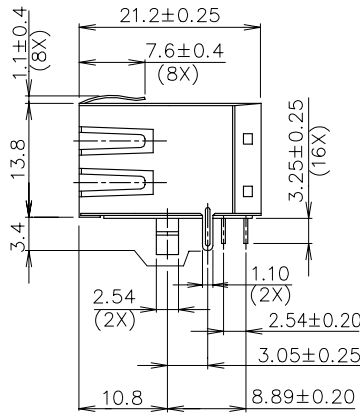
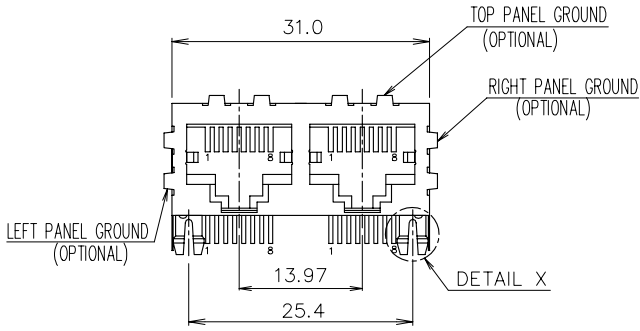
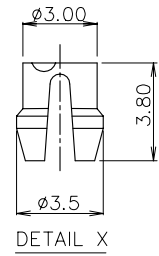
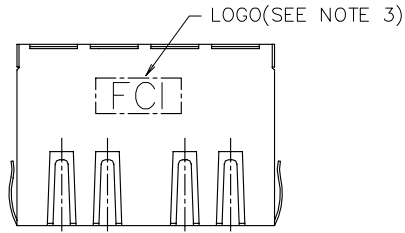
For any questions, you can email us directly:
sales@integrated-circuit.com



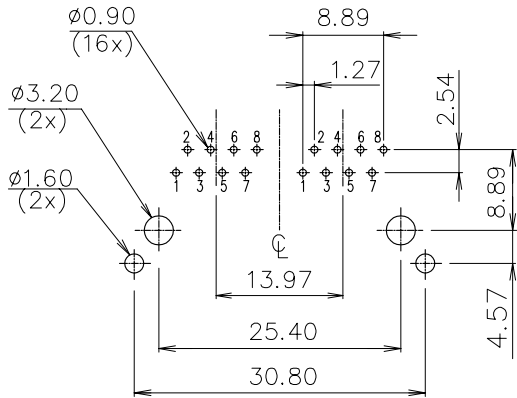
PRINT P/N & DATE CODE
 (SEE NOTE 4)



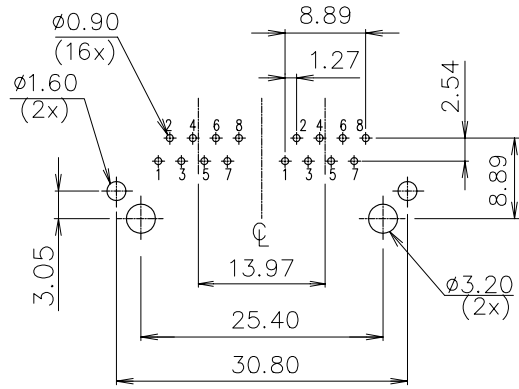
mat'l. code		surface ASME Y14.5 ✓		tolerance ASME Y14.5		projection		product family	
ltr		ecn no		dr		date		GANGED MJACK	
A		WL		11/04/11		tolerances unless otherwise specified		title	
						X.X±0.25		CAT 3 MULTI-PORTS TAB DOWN	
						X.XX±0.13		1x2 WITH SHIELD, W/O LED	
						X.XXX±0.05		sheet 1 of 4	
						scale		size	
						MM		A4	
						[INCH]		dwg no	
						scale		10118061	
						dr		type	
						WENDY CHEN 05/03/11		CUSTOMER Drawing	
						enr			
						WENDY CHEN 05/03/11			
						chr			
						WENDY CHEN 05/03/11			
						appd			
						GARY HSEIH 05/03/11			
sheet index		revision sheet		A A		A A			
1		1 2		3 4					



mat'l. code	surface ASME Y14.5	tolerance ASME Y14.5	projection	product family GANGED M JACK
ltr	ecn no	dr	date	title CAT 3 MULTI-PORTS TAB DOWN 1x2 WITH SHIELD, W/O LED
A				dwg no 10118061
	angles	line	scale	sheet 2 of 4 size A4
	X±1°	X.XX±0.25	MM [INCH]	type CUSTOMER Drawing
		X.XX±0.13		
		X.XXX±0.05		
	dr	WENDY CHEN	05/03/11	
	enr	WENDY CHEN	05/03/11	
	chr	WENDY CHEN	05/03/11	
	appd	GARY HSIEH	05/03/11	
sheet index	revision sheet			



RECOMMENDED PCB LAYOUT
 RECOMMENDED PCB THICKNESS: 1.6mm
 TOLERANCE: ±0.05 (TOP VIEW)



RECOMMENDED PCB LAYOUT
 RECOMMENDED PCB THICKNESS: 1.6mm
 TOLERANCE: ±0.05 (TOP VIEW)

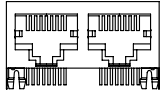
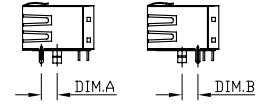
mat'l. code	surface ASME Y14.5 ✓	tolerance ASME Y14.5	projection [Symbol]	product family GANGED M JACK
ltr	ecn no	dr	date	title CAT 3 MULTI-PORTS TAB DOWN 1x2 WITH SHIELD, W/O LED
A				dwg no 10118061
				sheet 3 of 4
				size A4
				type CUSTOMER Drawing
dr	WENDY CHEN	05/03/11		
enr	WENDY CHEN	05/03/11		
chr	WENDY CHEN	05/03/11		
appd	GARY HSIEH	05/03/11		
sheet index	revision sheet			

NOTE:

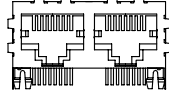
1. MATERIAL:
 HOUSING: HIGH TEMPERATURE THERMOPLASTIC, UL94V-0
 COLOR: BLACK.
 CONTACTS: COPPER ALLOY.
 SHIELD: COPPER ALLOY.
2. FINISH:
 CONTACTS: 50u" MIN. NICKEL UNDER PLATED OVER ALL.
 SELECTIVE GOLD PLATED ON CONTACT AREA,
 1u" GOLD PLATED ON SOLDER TAIL.
 SHIELD: 20u" MIN. NICKEL OVER ALL.
3. LASER MARK FCI LOGO ON THE TOP OF SHIELD.
4. "DATE CODE" DESCRIPTION:
 XX XX
 WEEK
 YEAR (EX. : 10--2010)
5. PRODUCT PERFORMANCE PER SPEC. : GS-12-0990.
6. PACKING SPEC. : GS-14-2170.
7. THIS PRODUCT MEETS THE EUROPEAN UNION DIRECTIVE AS DESCRIBED
 IN GS-22-008.
8. THE HOUSING WILL WITHSTAND EXPOSURE TO 260°C PEAK TEMPERATURE
 FOR 5 SECONDS IN A WAVE SOLDER APPLICATION WITH A CIRCUIT BOARD.

9. PART NUMBER DESCRIPTION:

- 10118061-X X X X X X LF
- LEAD FREE
 - 0 : RESERVED (NOT USED)
 - PACKAGING
 - 1 : TRAY
 - OPTIONAL BACK SHIELD TAB
 - 0 : WITHOUT BACK SHIELD TAB
 - OPTIONAL RIGHT / LEFT SHIELD TAB
 - 1 : DIM.A=4.57
 - 5 : DIM.B=3.05
 - OPTIONAL PANEL GROUND
 - 0 : WITHOUT PANEL GROUND
 - 3 : TOP/RIGHT/LEFT 3 SIDES WITH PANEL GROUND
 - LED COLOR
 - 0 : WITHOUT LED
 - CONTACT AREA PLATING
 - 1 : 15u" GOLD PLATING
 - 2 : 30u" GOLD PLATING
 - 5 : 1u" GOLD FLASH PLATING



10118061-XX0XXXXLF
 (WITHOUT PANEL GROUND)



10118061-XX3XXXXLF
 (3 SIDES PANEL GROUND)

mat'l. code	surface ASME Y14.5 ✓	tolerance ASME Y14.5	projection MM [INCH]	product family GANGED M JACK
ltr	ecn	no	dr	date
A				
tolerances unless otherwise specified				
angles	X.X±0.25			
mm	X.XX±0.13			
X±1°	X.XXX±0.05			
dr	WENDY CHEN	05/03/11		
enr	WENDY CHEN	05/03/11		
chr	WENDY CHEN	05/03/11		
appd	GARY H SIEH	05/03/11		
sheet	revision			
index	sheet			
title CAT 3 MULTI-PORTS TAB DOWN 1x2 WITH SHIELD, W/O LED				
dwg no 10118061				sheet 4 of 4 size A4
type CUSTOMER Drawing				