

Excellent Integrated System Limited

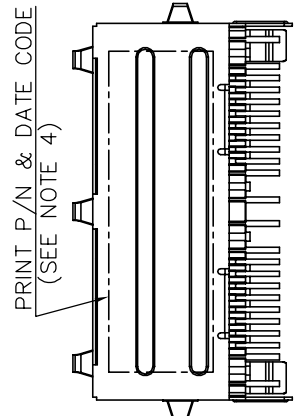
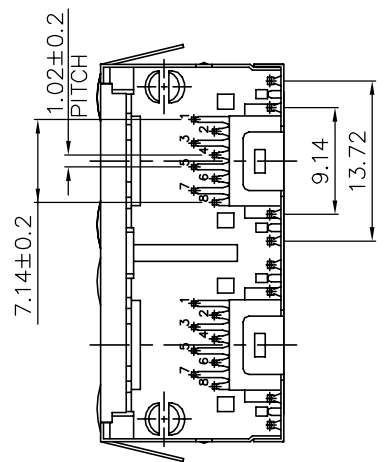
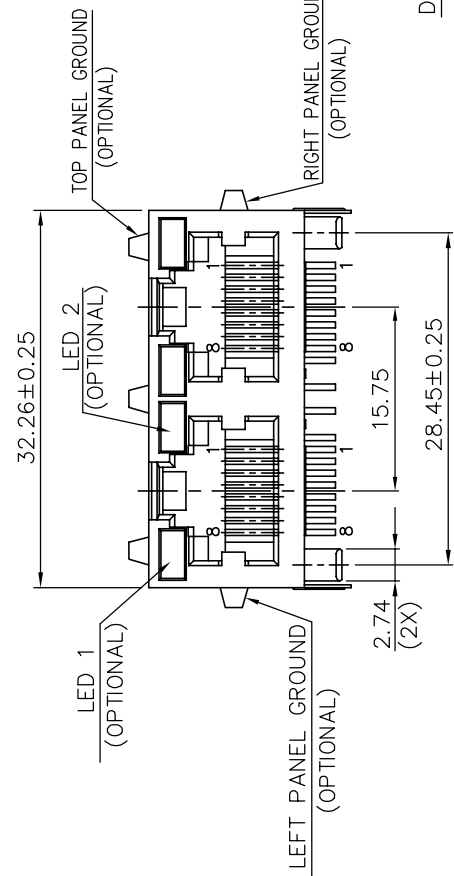
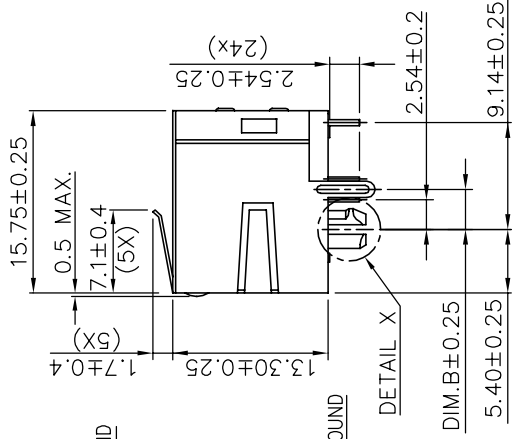
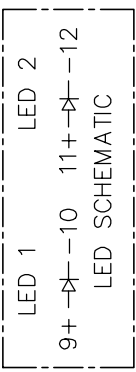
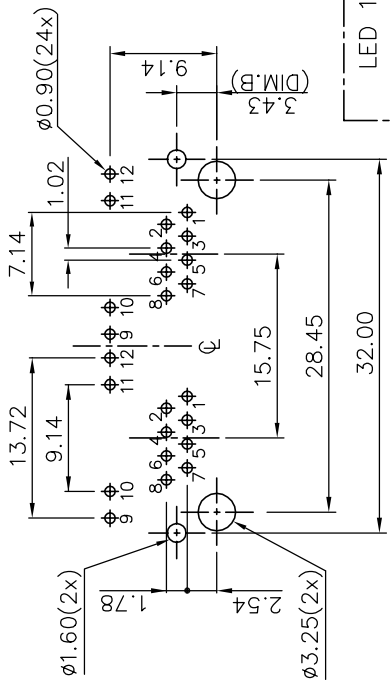
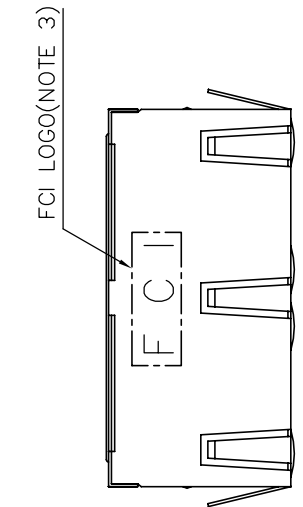
Stocking Distributor

Click to view price, real time Inventory, Delivery & Lifecycle Information:

[FCI](#)
[10118066-5136010LF](#)

For any questions, you can email us directly:
sales@integrated-circuit.com

P/N	DIM.B
18066-XXX6XXXLF	3.43



mat'l. code		surface	tolerance	projection	product family
litr	ecm no	ASME Y14.5	ASME Y14.5	MM	GANGED M JACK
A	WL 11/04/11	tolerances unless otherwise specified		[INCH]	title
B	ELX-N-13968	angles	X.X±0.25	scale	CAT 3 MULTI-PORTS TAB UP
			X.XX±0.13		1x2 WITH SHIELD, W/ LED
			X.XXX±0.05		dwg no
		dr	WENDY CHEN 05/11/11		sheet 1 of 2 size
		engr	WENDY CHEN 05/11/11		A4
		chr	WENDY CHEN 05/11/11		10118066
		appd	GARY HSIEH 05/11/11		CUSTOMER Drawing
sheet index	revision	B			
	sheet	1			
		2			

