

Excellent Integrated System Limited

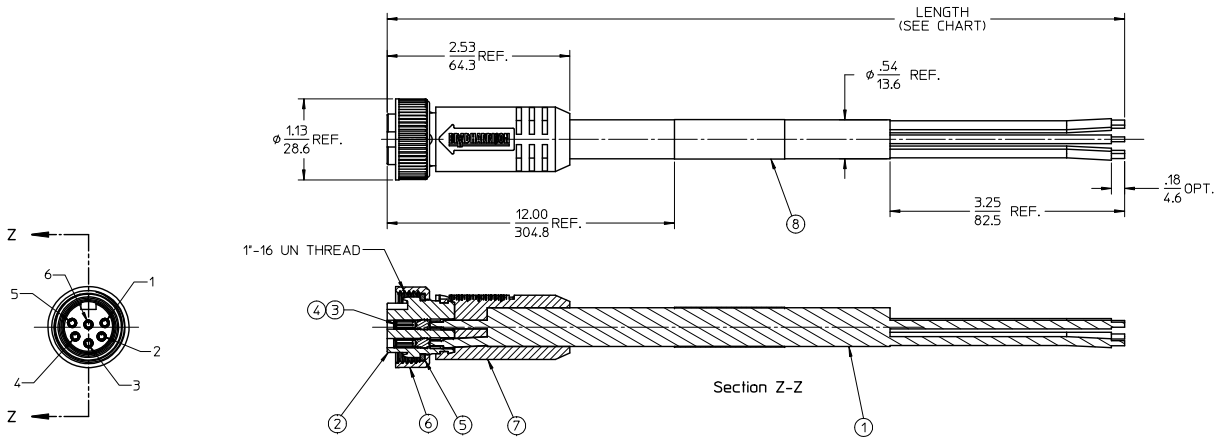
Stocking Distributor

Click to view price, real time Inventory, Delivery & Lifecycle Information:

[Molex Connector Corporation](#)
[1300070033](#)

For any questions, you can email us directly:

sales@integrated-circuit.com



PART NUMBER	ENGINEERING NO.	LENGTH
1300070022	206000A01F030	3' 0" +1.75 - 0 [.9M +44.5 - 0]
1300070024	206000A01F060	6' 0" +2.19 - 0 [1.8M +55.6 - 0]
1300070026	206000A01F120	12' 0" +3.50 - 0 [3.7M +88.9 - 0]
1300070028	206000A01F200	20' 0" +6.50 - 0 [6.1M +165.1 - 0]
1300070030	206000A01F250	25' 0" +12.50 - 0 [7.6M +317.5 - 0]
1300070031	206000A01F300	30' 0" +12.50 - 0 [9.1M +317.5 - 0]
1300070033	206000A01F350	35' 0" +12.50 - 0 [10.7M +317.5 - 0]
1300070035	206000A01F450	45' 0" +12.50 - 0 [13.7M +317.5 - 0]
1300070036	206000A01F500	50' 0" +24.50 - 0 [15.2M +622.3 - 0]
1300070038	206000A01F600	60' 0" +24.50 - 0 [18.2M +622.3 - 0]
1300070039	206000A01F750	75' 0" +24.50 - 0 [22.9M +622.3 - 0]

NOTES:

1. MATERIAL: SEE TABLE
2. FINISHES: SEE TABLE
3. CABLE ASSEMBLIES ARE BAGGED SEPERATELY IN POLY BAGS WITH BARCODE LABEL ATTACHED TO OUTSIDE OF BAG
4. WRAP LABEL IS MARKED WITH P/N, DATE CODE VOLTAGE & AMPERAGE
5. MATES WITH: MINI CHANGE, C-SIZE 6 POLE RECEPTACLE
6. ELECTRICAL SPECIFICATIONS:
VOLTAGE RATING: 600V
CURRENT RATING: 8 AMPS
7. ASSEMBLY IS RoHS COMPLIANT

S2	
1	ORANGE
2	BLUE
3	BLACK
4	WHITE
5	RED
6	GREEN YELLOW

WIRING DIAGRAM

ITEM	QTY.	DESCRIPTION	MATERIAL	FINISH
8	1	LABEL	PLASTIC FILM	BLACK/YELLOW
7	1	OVERMOLD	PVC	YELLOW
6	1	COUPLING NUT	ZINC DIE CAST	BLACK
5	1	FRICTION RING	NYLON	NATURAL
4	6	SOCKET CONTACT	BRASS	GOLD PLATED
3	6	SOCKET SLEEVE	STAINLESS STEEL	
2	1	INSERT, FEMALE, 6 POLE	PVC	YELLOW
1	1	CABLE, 16-6 STOOW/ST	PVC JACKET	YELLOW

RELEASED REC NO: WNA2009-0627 DRAWINGSTONE CHKOR: WOODMAN APPR: J. MURPHY 2009/04/03 2009/04/06	QUALITY SYMBOLS ▽=0 ▽=0	GENERAL TOLERANCES (UNLESS SPECIFIED) mm INCH 4 PLACES ± --- ± --- 3 PLACES ± --- ± --- 2 PLACES ± --- ± .01 1 PLACE ± 0.3 ± --- ANGULAR ± 1/2°	DIMENSION STYLE IN/MM DRAWN BY R. STONE DATE 2009/04/02 CHECKED BY B. WOODMAN DATE 2009/04/03 APPROVED BY J. MURPHY DATE 2008/04/06	SCALE 1:1 DESIGN UNITS INCH THIRD ANGLE PROJECTION	TITLE MINI-CHANGE CORD ASSY FEMALE, B-SIZE 6 POLE	MATERIAL NO. SEE CHART	DOCUMENT NO. SD-130007-001	SHEET NO. 1 OF 1
		DRAFT WHERE APPLICABLE MUST REMAIN WITHIN DIMENSIONS		THIS DRAWING CONTAINS INFORMATION THAT IS PROPRIETARY TO MOLEX INCORPORATED AND SHOULD NOT BE USED WITHOUT WRITTEN PERMISSION		MOLEX INCORPORATED		