



Distributor of TE Connectivity AMP Connectors: Excellent Integrated System Limited
Datasheet of 521113-1 - Connector Quick Connect Receptacle 14-18 AWG 0.250" (6.35mm)
Crimp

Contact us: sales@integrated-circuit.com Website: www.integrated-circuit.com

Excellent Integrated System Limited

Stocking Distributor

Click to view price, real time Inventory, Delivery & Lifecycle Information:

[TE Connectivity AMP Connectors](#)
[521113-1](#)

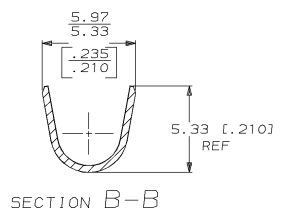
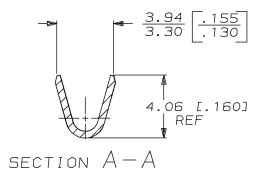
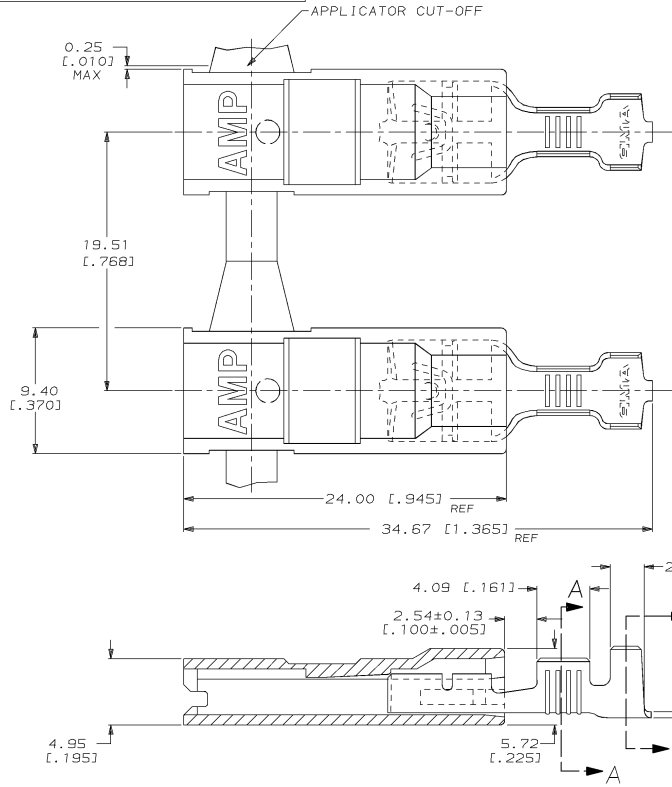
For any questions, you can email us directly:

sales@integrated-circuit.com

DRAWING MADE IN THIRD ANGLE PROJECTION

THIS DRAWING IS UNPUBLISHED. RELEASED FOR PUBLICATION
 © COPYRIGHT 19 BY AMP INCORPORATED. ALL INTERNATIONAL RIGHTS RESERVED.

LOC	DIST	P	F	ZONE	LTR	REVISIONS			
						DESCRIPTION	DATE	APPD	
AF	50				B	REV PER	0L10-0053-97	2/11/97	JR/JW



1 LOW-INSERTION FASTON TERMINALS, BASE
 P/N 63674-2 IS USED.

2 NICKEL PLATE 0.00381 [0.00150] MIN

2.79-4.32 [0.110-0.170]	0.8-2.0 mm ² [18-14]	0.813 [0.032]	521113-1
INSULATION RANGE		MATING TAB THK ±0.025 [±.001]	PART NO
DO NOT SCALE PRINT. UNLESS SPECIFIED DIMENSIONS IN mm [INCHES]		AMP INCORPORATED Harrisburg, Pa. 17105	
TOLERANCES ON :			
2 PLC DEC ±	DR 3/13/96 JR RUTH	ASSEMBLY, ULTRA-POD, RECEPTACLE, 6.35 [0.250] SERIES	
3 PLC DEC ± 0.25 [0.010]	CHK 3/13/96 MS FEHER		
ANGLES ±	APPD 3/13/96 D BRATINA	NAME	
MATERIAL	APPD 3/13/96 V KARABOJEVSKY	PRODUCT SPEC	
HOUSING 4/6 NYLON (150°C)	PRODUCT SPEC 108-1285	APPLICATION SPEC	
TERMINAL - #2H STEEL	APPLICATION SPEC 114-2124	SIZE C	CAGE CODE 00779
FINISH	WEIGHT -	DRAWING NO 521113	SHEET 1 OF 1
HOUSING - BLACK			
TERMINAL - NICKEL			