

Excellent Integrated System Limited

Stocking Distributor

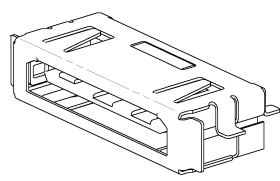
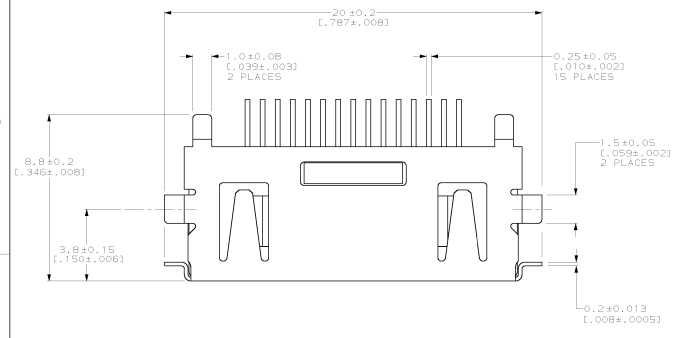
Click to view price, real time Inventory, Delivery & Lifecycle Information:

[TE Connectivity AMP Connectors](#)
[5-569331-4](#)

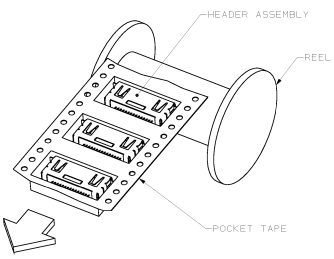
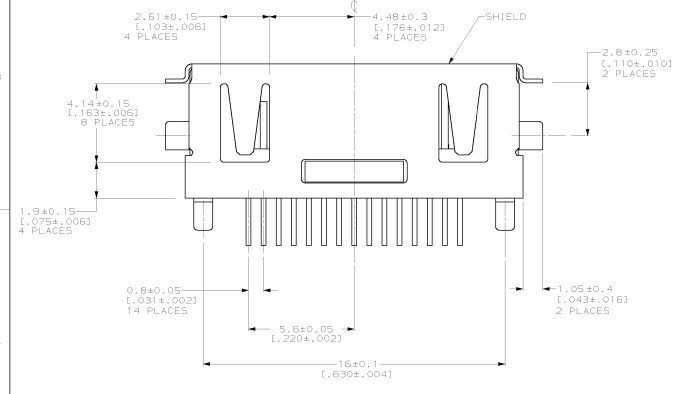
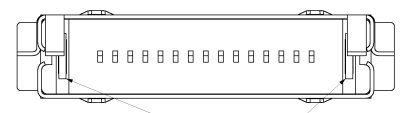
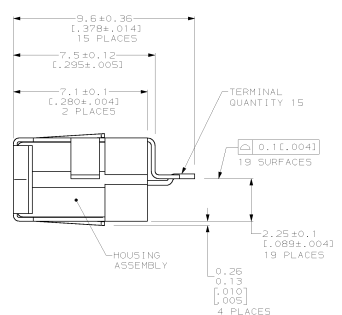
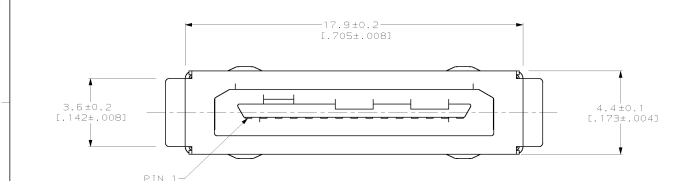
For any questions, you can email us directly:
sales@integrated-circuit.com

REVISION 15 (00/01/96)	REVISED FOR FUNCTION
BY: [blank]	BY: [blank]

REV	DATE	DESCRIPTION	BY	CHK	APP
AA	23	REVISED PER EC 0010-0035-99	[blank]	[blank]	[blank]



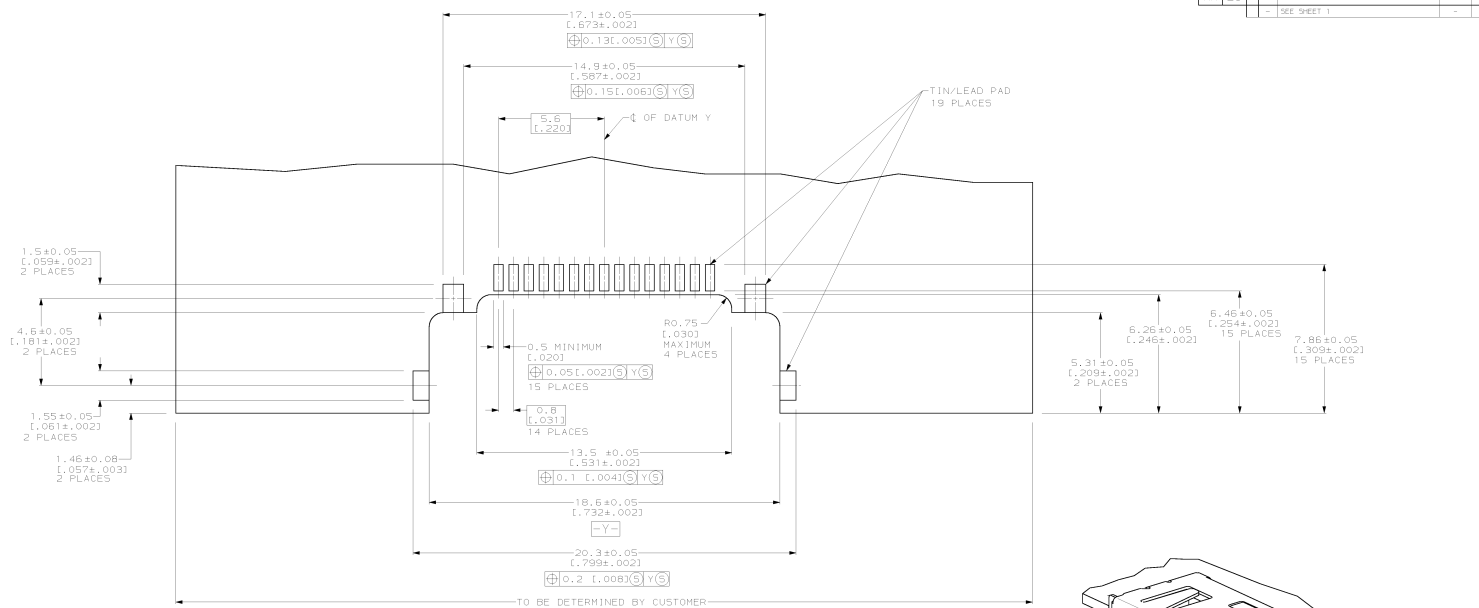
MATERIAL, HOUSING - NYLON MOLDING COMPOUND, 94V-0, GLASS FILLED, BLACK.
 TERMINALS - 0.25[.010] THICK BRASS PLATED WITH 0.254 MICRONS(.00010) MINIMUM THICK GOLD OVER 1.016 MICRONS (.00040) MINIMUM THICK PALADIUM NICKEL OVER 0.05 MICRONS(.00002) MINIMUM THICK GOLD IN CONTACT AREAS AND 3.8 MICRONS(.000150) MINIMUM THICK TIN-LEAD ON SOLDER TINES OVER 2.54 MICRONS(.00100) MINIMUM THICK NICKEL UNDERPLATE.
 SHIELD - STAINLESS STEEL, TIN-LEAD PLATED STRIKER PLATE - STAINLESS STEEL.



OBSELETE	TAPE & REEL	KEY 5-15	5-569331-5
	TAPE & REEL	KEY 4-15	5-569331-4
	TAPE & REEL	KEY 3-15	5-569331-3
	TAPE & REEL	KEY 2-15	5-569331-2
	TAPE & REEL	KEY 1-15	5-569331-1
PACKAGING	KEYING OPTION	PART NUMBER	

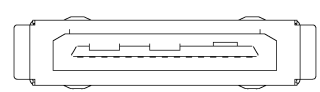
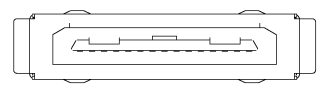
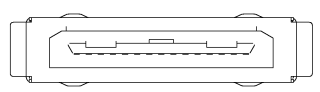
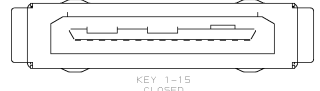
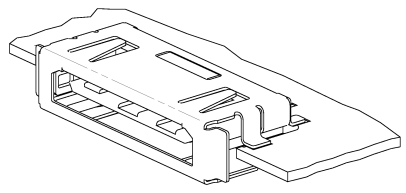
5-569331-4 CONN PCMCIA CARD PUSH-PULL SHIELDED, DUAL 15, TYPE 11, SERIES 111 INEPOK™		AMP Incorporated Harrisburg, PA 17105-3608	
PART NUMBER 5-569331-4	CUSTOMER DRAWING 5-569331-4	ORDERING PART NUMBER 5-569331-4	ORDERING PART NUMBER 5-569331-4

REVISIONS	REV	DATE	BY	CHKD	APP'D
AA	23				



TO BE DETERMINED BY CUSTOMER

SUGGESTED PC BOARD MOUNTING DIMENSIONS



KEYING OPTIONS
SCALE 8:1

5-569331-4 CONN PCMCIA CARD PUSH-PULL		AMP Incorporated Harrisburg, PA 17105-3608	
DIMENSIONS IN (INCHES)	DIMENSIONS IN (MILLIMETERS)	PART NUMBER 5-569331-4	PART NUMBER 5-569331-4
MATERIAL BRASS	FINISH TIN/LEAD	SHIELDED, DUAL 15, TYPE II, SERIES III INFORBIT™	CUSTOMER DRAWING 5-569331-4