

Excellent Integrated System Limited

Stocking Distributor

Click to view price, real time Inventory, Delivery & Lifecycle Information:

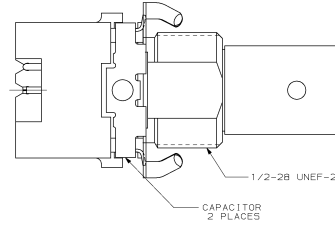
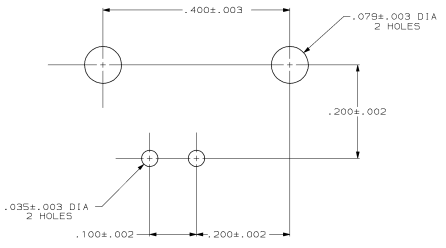
[TE Connectivity AMP Connectors](#)
[415010-1](#)

For any questions, you can email us directly:

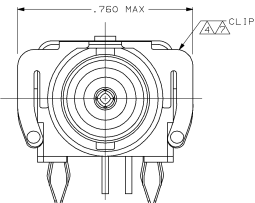
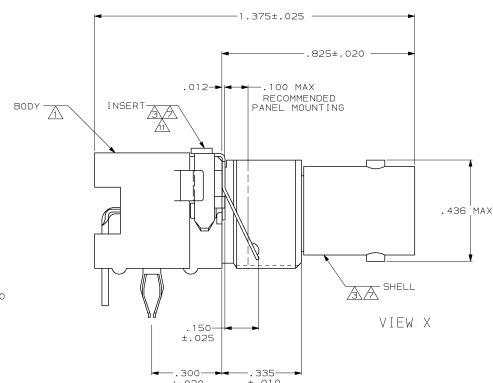
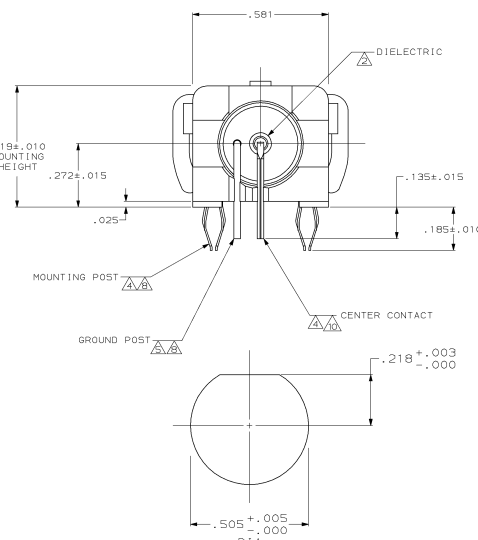
sales@integrated-circuit.com

PRINTING MADE IN THIRD ANGLE PROJECTION
 THIS DRAWING IS UNCONTROLLED. RELEASED FOR PUBLICATION
 © copyright 18 BY AMP INCORPORATED. ALL INTERNATIONAL RIGHTS RESERVED.

REV	DATE	DESCRIPTION	BY	CHKD	APPD
1					
2					
3					
4					
5					
6					
7					
8					
9					
10					
11					
12					
13					
14					
15					
16					



- ▲ POLYESTER, PBT, BLACK, PER MIL-M-24519.
- ▲ POLYMETHYLENTERE GENERAL PURPOSE.
- ▲ ZINC PER QQ-2-363.
- ▲ PHOSPHOR BRONZE PER QQ-B-750.
- ▲ BRASS PER QQ-B-626.
- ▲ BRASS PER ASTM-B-453.
- ▲ NICKEL PL PER QQ-N-290.
- ▲ TIN-LEAD PL PER MIL-P-B172B.
- ▲ TIN-LEAD PL PER ASTM-B-545.
- ▲ SELECTIVELY GOLD PLATED ON INTERFACE AREA PER MIL-G-45204, .000030 THK, TIN-LEAD PLATED ON SOLDER TAIL PER MIL-P-B172B, ALL OVER NICKEL PL PER QQ-N-290.
- ▲ ESD DEVICE, VOLTAGE BREAKDOWN <3.5KVDC.



RECOMMENDED PANEL CUTOUT

9400 pF & 1500 VDC	415010-1
CAPACITANCE & VOLTAGE	PART NUMBER

DO NOT SCALE PRINT. UNLESS SPECIFIED DIMENSIONS IN INCHES TOLERANCES ON 3 PL DEC + .008 ANGLES ± °		OR 2-8-95 2-8-95 H. TOPCHK		PART NO	
MATERIAL: ▲ THRU ▲		APPRO: 2-8-95 J. LIPPERT		NAME: JACK, DECOUPLER, RIGHT ANGLE, LOW PROFILE, ESD PROTECTED, BNC	
FINISH: ▲ ▲ ▲ ▲		PRODUCT SPEC: 108-1269		SIZE: D	
APPLICATION SPEC: -		WEIGHT: -		CAGE CODE: 00779	
				DRAWING NO: 415010	
				SCALE: 5:1	
				SHEET: 1 OF 1	

CUSTOMER DRAWING