

Excellent Integrated System Limited

Stocking Distributor

Click to view price, real time Inventory, Delivery & Lifecycle Information:

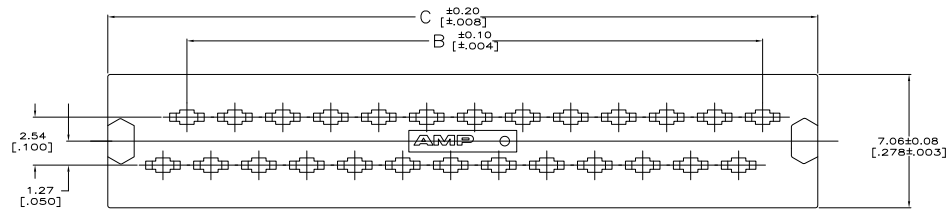
[TE Connectivity AMP Connectors](#)
[1-111770-0](#)

For any questions, you can email us directly:

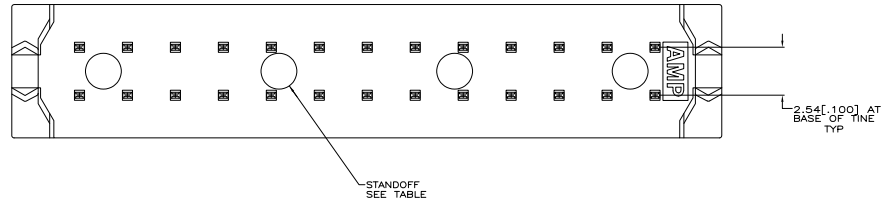
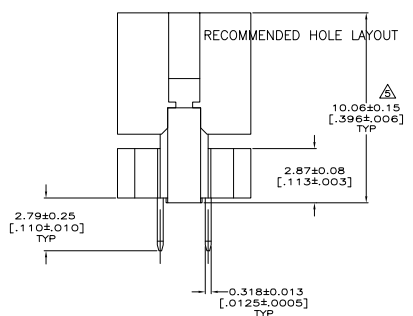
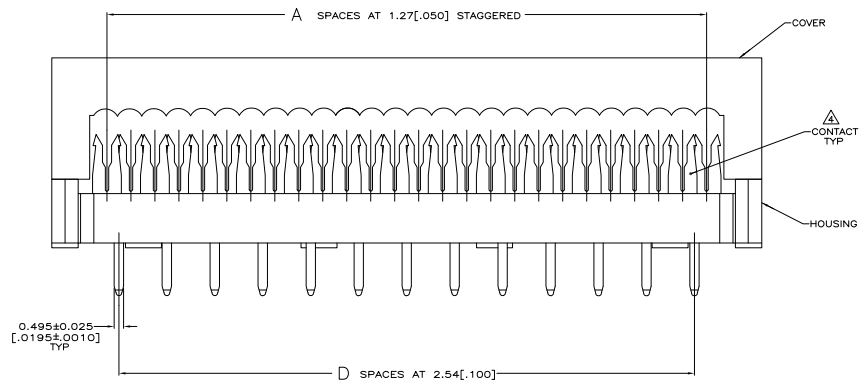
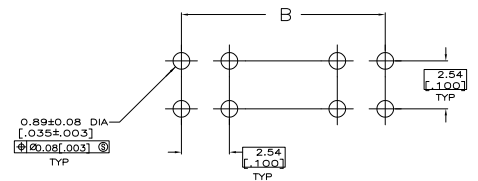
sales@integrated-circuit.com

8
 THE DRAWING IS UNAPPROVED FOR PRODUCTION
 80 COMPANY - BY THE CUSTOMER'S REPRESENTATIVE. ALL RIGHTS RESERVED.

REVISIONS
 00 00
 1302106 JDF/CWR



- ▲ POLYESTER, BLACK, UL 94V-0 RATED.
- ▲ PHOSPHOR BRONZE PER QQ-B-750.
- ▲ 2.54mm[.000100] MIN TIN OR TIN-LEAD OVER 1.27mm[.000050] MIN NICKEL.
- ▲ CONTACTS WILL ACCEPT 28 AWG STRANDED OR 26, 28, 30 AWG SOLID WIRE.
- ▲ HEIGHT AFTER TERMINATION IS 6.43[.253].



NO. OF STANDOFFS	D	C	B	A	NO. OF POSN	PART NUMBER
9	29	80.77[3.180]	73.66[2.900]	59	60	1-111770-1
8	24	68.07[2.680]	60.96[2.400]	49	50	1-11170-0
OBSELETE	7	55.37[2.180]	48.26[1.900]	39	40	111770-9
OBSELETE	6	47.75[1.880]	40.64[1.600]	33	34	111770-8
OBSELETE	4	37.59[1.480]	30.48[1.200]	25	26	111770-6
OBSELETE	4	35.05[1.380]	27.94[1.100]	23	24	111770-5
OBSELETE	4	29.97[1.180]	22.86[.900]	19	20	111770-4
OBSELETE	2	17.27[.680]	10.16[.400]	9	10	111770-1

THIS DRAWING IS A CONTROLLED DOCUMENT
 DATE: 12-18-92
 REV: 00000000
 108-40013
 114-40005
 A1007790=111770
 CUSTOMER DRAWING