

Excellent Integrated System Limited

Stocking Distributor

Click to view price, real time Inventory, Delivery & Lifecycle Information:

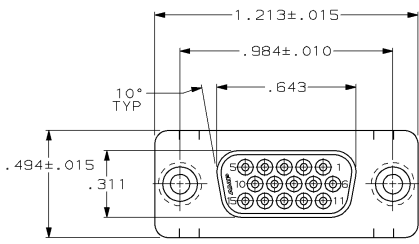
[TE Connectivity AMP Connectors](#)
[748696-1](#)

For any questions, you can email us directly:

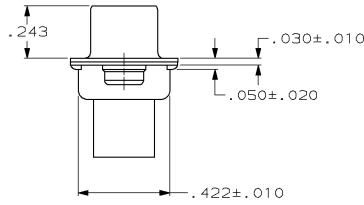
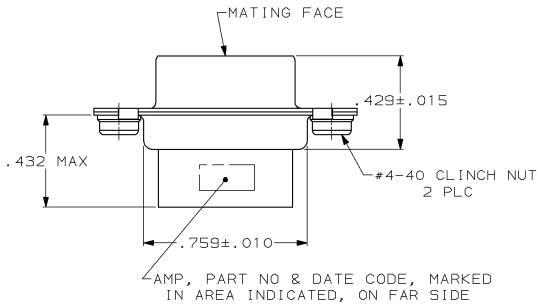
sales@integrated-circuit.com

DRAWING MADE IN THIRD ANGLE PROJECTION
 THIS DRAWING IS UNPUBLISHED. RELEASED FOR PUBLICATION
 © COPYRIGHT 19 BY AMP INCORPORATED. ALL INTERNATIONAL RIGHTS RESERVED.

LOC				REVISONS				
BD	39	P	F	ZONE	LTR	DESCRIPTION	DATE	APPD
				0		RELEASED	-	-



- CONNECTOR ACCEPTS SIZE 22 DF SOCKET CONTACTS, RETENTION TINES ARE AN INTEGRAL PART OF INSERT.
- FLAME RETARDANT 94V-0 RATED GLASS FILLED NYLON, COLOR: BLACK.
- STEEL PER ASTM A109.
- STEEL.
- TIN PLATED PER MIL-T-10727.
- ZINC PLATED PER ASTM B633, TYPE 11, CLASS SCI, YELLOW CHROMATE.



748696-1

PART NO

DO NOT SCALE PRINT.
 UNLESS SPECIFIED
 DIMENSIONS IN INCHES
 TOLERANCES ON:
 2 PLC DEC ±
 3 PLC DEC ± .005
 ANGLES ± 2°

MATERIAL
 MOLDED PARTS:
 SHELLS:
 CLINCH NUTS:

FINISH
 SHELLS:
 CLINCH NUTS:

DR -
 CHK -
 APPD -
 APPD -
 PRODUCT SPEC -
 APPLICATION SPEC -
 WEIGHT -

AMP | AMP INCORPORATED
 Harrisburg, Pa. 17105

NAME
 RECEPTACLE CONNECTOR, SIZE 1, 15 POSN,
 WITH NON-LOCKING CLINCH NUTS,
 AMPLIMITE® HDP-22

SIZE	FSCM NO	DRAWING NO
C	00779	748696
SCALE	3:1	SHEET 1 OF 1