



Excellent Integrated System Limited

Stocking Distributor

Click to view price, real time Inventory, Delivery & Lifecycle Information:

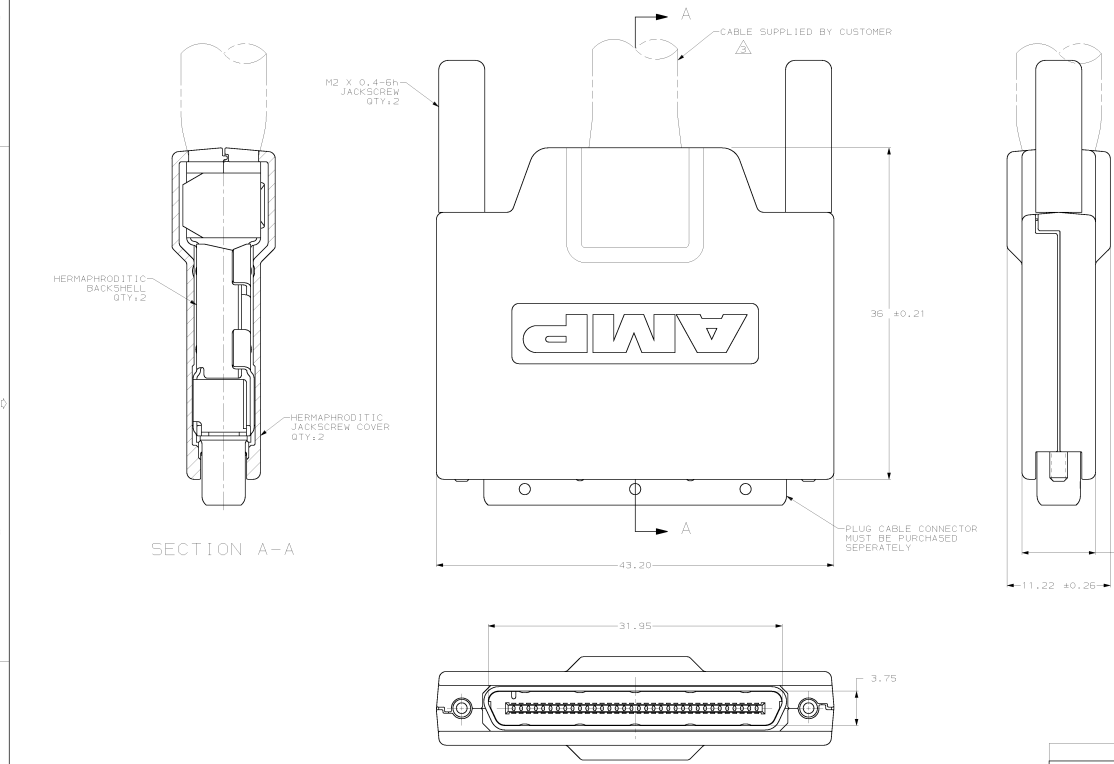
[TE Connectivity AMP Connectors](#)
[787191-1](#)

For any questions, you can email us directly:

sales@integrated-circuit.com

ALL RIGHTS RESERVED. RELEASED FOR PUBLICATION. © AMP INCORPORATED. ALL INTERNATIONAL RIGHTS RESERVED.

REVISED PER EC 0513-0036-01		DATE	APPRO
B	REVISED PER EC 0513-0036-01		JG



- △ MATERIAL:
 HERMAPHRODITIC BACKSHELL- STEEL.
 JACKSCREW - STEEL.
 JACKSCREW HEAD - ABS MOLDING COMPOUND, COLOR-BLACK.
 HERMAPHRODITIC JACKSCREW COVER- UL 94V-0 RATED
 ABS MOLDING COMPOUND, COLOR-BLACK.
- △ PLATING:
 HERMAPHRODITIC BACKSHELL- 5µm MIN BRIGHT NICKEL OVER
 2.5µm MIN COPPER.
 JACKSCREW - BLUE CHROMATE OVER ZINC.
- △ RECOMMENDED WIRE: 30 AWG WITH A 0.56-0.64 INSULATION DIAMETER.
 WIRE MUST BE APPROVED BY AMP ENGINEERING.

OBSELETE	INDIVIDUAL KIT	787191-2
	BULK: 100 KITS	787191-1
	PACKAGING	PART NO

DO NOT SCALE PRINT. UNLESS SPECIFIED DIMENSIONS IN MILLIMETERS TOLERANCES ON + 3 P.L.C DEC - .0 3 P.L.C DEC - .0	DR 05/31/04 H.E.DHAR CHK 05/31/04 WAYNE DAVIS APP'D 07/12/04 J.ROSSER APP'D 07/12/04 J.ROSSER PRODUCT SPEC 108-1471	NAME AMP Incorporated Harrisburg, PA 17105-3608
FINISH △	APPLICATION SPEC -	SIZE D
REIGHT -		CASE CODE 00779
		DRAWING NO C-787191
		SHEET 1 OF 1

THIS DRAWING IS A CONTROLLED DOCUMENT AND ANY INFORMATION IT IS DERIVED FROM SHOULD BE CONTACTED FOR THE LATEST REVISION.

CUSTOMER DRAWING