

Excellent Integrated System Limited

Stocking Distributor

Click to view price, real time Inventory, Delivery & Lifecycle Information:

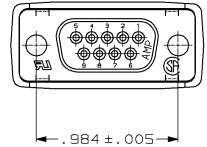
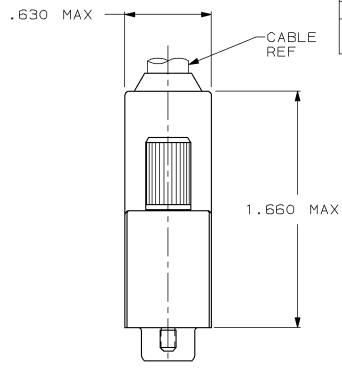
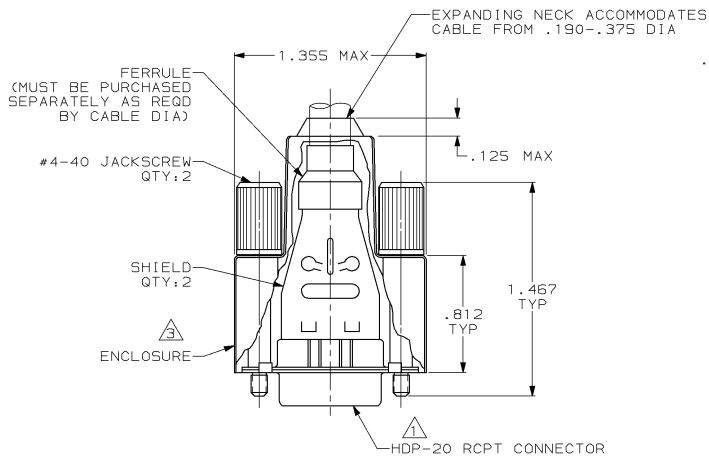
[TE Connectivity AMP Connectors](#)
[747951-1](#)

For any questions, you can email us directly:

sales@integrated-circuit.com

DRAWING MADE IN THIRD ANGLE PROJECTION
 THIS DRAWING IS UNPUBLISHED. RELEASED FOR PUBLICATION
 © COPYRIGHT 19 BY AMP INCORPORATED. ALL INTERNATIONAL RIGHTS RESERVED.

LOC	Q1ST	P	F	ZONE	LTR	REVISIONS	DATE	APPD
BD	48					DESCRIPTION		
					G	REDRAWN	8/4/90	-
					H	REV PER ECN BD4814	05/31/91	-
					J	REV PER ECN BD5049	7-2-91	TMS
					K	REV PER ECN BD6133	04/02/92	TMS
					L	ADDED -4 PER NPR 4258	07/08/92	SB
					M	ADDED -5 PER EC 0020-113-95	03/20/95	JCS
					N	REV PER EC 0020-602-95	08/13/95	J5
					P	OBSOLETE -4 & -5 PER EC 0420-143-96	07 NOV 97	SB



- 1 RECEPTACLE ACCEPTS SIZE OF SOCKET CONTACTS. CONTACTS MUST BE PURCHASED SEPARATELY.
- 2 ALL PARTS SHIPPED UNASSEMBLED.
- 3 STYRENE POLYOLEFIN OR PVC, 94V-0 RATED, FLAME RETARDANT, BLACK.
- 4 NYLON OR POLYESTER, 94V-0 RATED, GLASS FILLED, FLAME RETARDANT, BLACK.
- 5 STEEL PER ASTM A109.
- 6 TIN PLATING PER MIL-T-10727.
- 7 ZINC PLATING PER ASTM B633, TYPE II, CLASS SCI, BLACK CHROMATE.
- 8 COMPONENTS INDIVIDUALLY BULK PACKED.
- 9 INDIVIDUAL KIT PACKAGING OF COMPONENTS.
- 10 SEE RESTRICTED CUSTOMER DRAWING 747951-4.
- 11 BLACK ELECTROLESS NICKEL PER QQ-N-290.

OBSOLETE	8	W/LOGO	11	CARBON STEEL	747951-5
OBSOLETE					10
OBSOLETE	4	W/LOGO	7	ZINC ALLOY	747951-3
OBSOLETE	8	W/OUT LOGO	7	ZINC ALLOY	747951-2
	8	W/LOGO	7	ZINC ALLOY	747951-1
PACKAGING	REMARKS	JACKSCREW FINISH	JACKSCREW MATERIAL	PART NUMBER	

DO NOT SCALE PRINT. UNLESS SPECIFIED DIMENSIONS IN INCHES TOLERANCES ON: 2 PLC DEC ± .020 ANGLES ± -	DR 6/4/90 A. STAUB B6 CHK 8-31-90 J. McCLINTON APPD 9-4-90 BOB TAYLOR APPD 9-4-90 J. ASSINI PRODUCT SPEC -	AMP INCORPORATED Harrisburg, Pa. 17105 NAME BULK KIT, RCPT, AMPLIMITE™, SHIELDING ENCLOSURE, 9 POSN, SIZE 1, HDP-20		
FINISH SHELLS & SHIELDS: 6 JACKSCREWS: SEE TABLE	APPLICATION SPEC - WEIGHT -	SIZE C SCALE 2:1	FSCM NO 00779	DRAWING NO 747951