

## **Excellent Integrated System Limited**

Stocking Distributor

Click to view price, real time Inventory, Delivery & Lifecycle Information:

[TE Connectivity AMP Connectors](#)  
[747952-1](#)

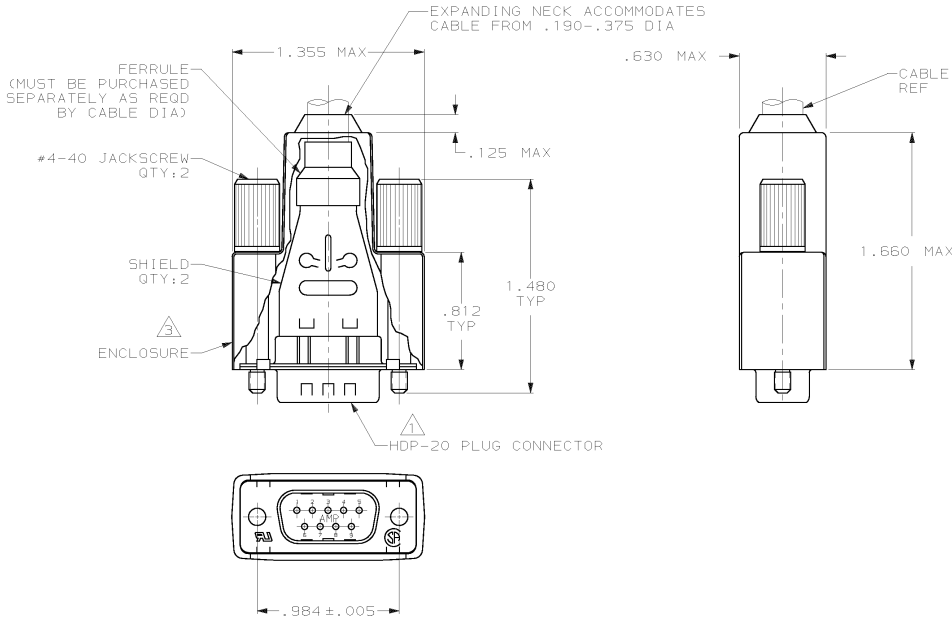
For any questions, you can email us directly:

[sales@integrated-circuit.com](mailto:sales@integrated-circuit.com)

DRAWING MADE IN THIRD ANGLE PROJECTION

THIS DRAWING IS UNPUBLISHED. RELEASED FOR PUBLICATION .19  
 © COPYRIGHT 19 BY AMP INCORPORATED. ALL INTERNATIONAL RIGHTS RESERVED.

LDC	DST	P	F	ZONE	LTR	REVISIONS			
						REV	PER	EC	DATE
BD	48				T	REV PER EC	001D-0260-00	13 SEP 01	JR



- ⚠️ PLUG ACCEPTS SIZE 20 DF PIN CONTACTS. CONTACTS MUST BE PURCHASED SEPARATELY.
- 2. ALL PARTS SHIPPED UNASSEMBLED.
- ⚠️ FLAME RETARDANT 94V-0 RATED, STYRENE POLYOLEFIN OR PVC, BLACK.
- ⚠️ FLAME RETARDANT 94V-0 RATED GLASS FILLED, NYLON OR POLYESTER, BLACK.
- ⚠️ STEEL PER ASTM A109.
- ⚠️ TIN PLATING PER MIL-T-10727.
- ⚠️ BODY: BLACK ELECTROLESS NICKEL PER QQ-N-290.
- ⚠️ COMPONENTS INDIVIDUALLY BULK PACKED.
- ⚠️ INDIVIDUAL KIT PACKAGING OF COMPONENTS.
- ⚠️ SEE RESTRICTED CUSTOMER DRAWING 747952-4.
- ⚠️ SEE RESTRICTED CUSTOMER DRAWING 747952-5.
- ⚠️ ZINC ALLOY.
- ⚠️ BODY: CARBON STEEL PER ASTM A 108. HEAD: PVC 94V-0 RATED, BLACK.
- ⚠️ PHOS-E COATING, BLACK.

OBSELETE	⚠️	W/LOGO	⚠️	⚠️	747952-6
	-	-	-	-	⚠️
OBSELETE	⚠️	W/LOGO	⚠️	⚠️	747952-3
SUPERSEDED BY 747952-1	⚠️	W/OUT LOGO	⚠️	⚠️	747952-2
	⚠️	W/LOGO	⚠️	⚠️	747952-1

PACKAGING	REMARKS	JACKSCREWS FINISH	JACKSCREWS MATERIAL	PART NUMBER

DO NOT SCALE PRINT. UNLESS SPECIFIED DIMENSIONS IN INCHES TOLERANCES ON : 2 PLC DEC ± .020 ANGLES * -	DR 6-1-90 J GALLUCCI BG CHK 8-22-90 J.McCLINTON APPO 8-23-90 BOB TAYLOR MATERIAL INSERT: ⚠️ SHELLS & SHIELDS: ⚠️ JACKSCREW: SEE TABLE	NAME PLUG KIT, SHIELDING ENCLOSURE, 9 POSN, SIZE 1, HDP-20 AMPLIMITE™
FINISH SHELLS & SHIELDS: ⚠️ JACKSCREW: SEE TABLE	APPLICATION SPEC 114-40009 WEIGHT -	SIZE C FSCM NO 00779 DRAWING NO 747952
		SCALE 2:1 SHEET 1 OF 1