



Distributor of TE Connectivity AMP Connectors: Excellent Integrated System Limited
Datasheet of 749767-1 - D-Sub Connector Plug, Male Pins 15 Position Through Hole, Right
Angle Solder

Contact us: sales@integrated-circuit.com Website: www.integrated-circuit.com

Excellent Integrated System Limited

Stocking Distributor

Click to view price, real time Inventory, Delivery & Lifecycle Information:

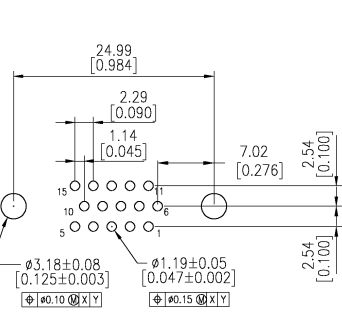
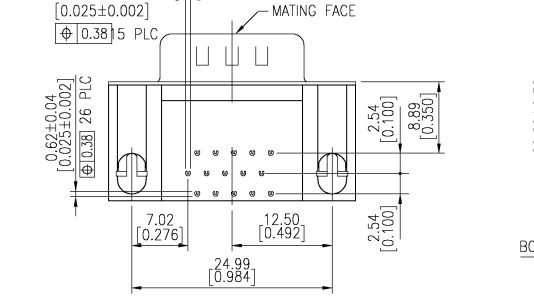
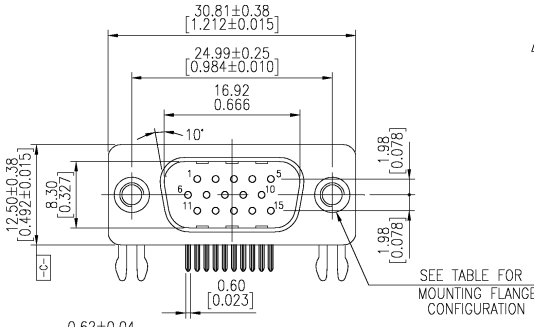
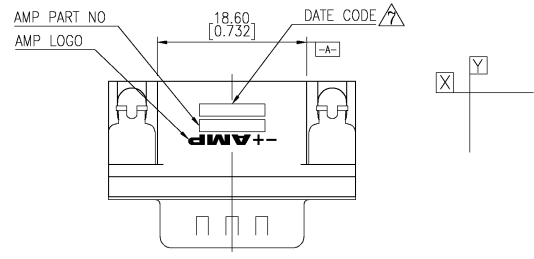
[TE Connectivity AMP Connectors](#)
[749767-1](#)

For any questions, you can email us directly:

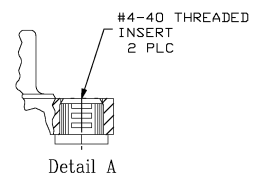
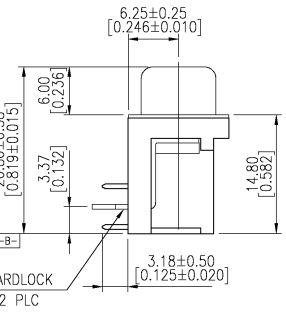
sales@integrated-circuit.com

THIS DRAWING IS UNPUBLISHED. RELEASED FOR PUBLICATION
 © COPYRIGHT BY TEC ELECTRONICS CORPORATION. ALL RIGHTS RESERVED.

LOC	DIST	REVISIONS			
GP	00	REV	DATE	BY	APP'D
		K	REVISED PER EC OS13-0175-03	OSMAY03	JG CC



RECOMMENDED PCB LAYOUT



- MATERIAL:**
- Housing: PBT, 30% G.F polyester, Black. (UL 94V-0 Rated)
 - Contact: Phos. Bronze.
 - Contact Plated: Gold Plated over 50u" Nickel underplated.
 - Solder Tail: Tin/Lead Plated 120u" over 50u" Nickel underplated.
 - Shell: Steel, Nickel Plated.
 - Boardlock: Brass, Tin Plated 100u"
- Four digit date code in this format.
- Year: 01 45 Manufacturing Week
- Solder Tail: Tin Plated 120u" over 50u" Nickel underplated.

Tray	Detail A	Finish	Part No
Tray	Detail A	30 μ"	6-749767-7
Tray	Detail A	Gold flash	749767-3
Tray	Detail A	15 μ"	749767-2
Tray	Detail A	30 μ"	749767-1

Packaging	Mounting Flange	Contact Finish	AMP Part NO

THIS DRAWING IS A CONTROLLED DOCUMENT.		DATE: 22AUG02	TEC Logo	Typec Electronics Corporation
DRAWN: BURWELL	CHECKED: CASH	DATE: 22AUG02	Product Name: AMPLIMITE HD-22	
DIMENSIONS: MM [INCHES]		PRODUCT SPEC: --	15 POS PLUG, RIGHT ANGLE	
TOLERANCES UNLESS OTHERWISE SPECIFIED:		APPLICATION SPEC: --	SIZE: A2 DATE CODE: 00779 DRAWING NO: 749767	
MATERIAL: --		FINISH: --	RESTRICTED TO: --	
WEIGHT: --		CUSTOMER DRAWING	SCALE: 3:1 SHEET: 1 OF 1 REV: K	