

Excellent Integrated System Limited

Stocking Distributor

Click to view price, real time Inventory, Delivery & Lifecycle Information:

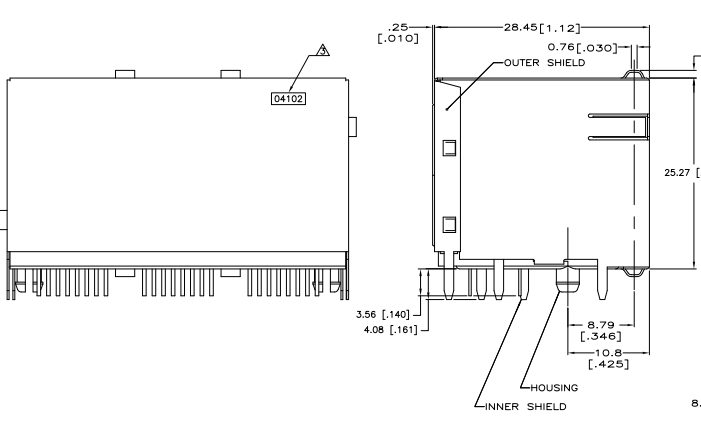
[TE Connectivity AMP Connectors](#)
[569813-1](#)

For any questions, you can email us directly:

sales@integrated-circuit.com

THIS DRAWING IS UNCLASSIFIED EXCEPT FOR PORTIONS INDICATED BY THE FOLLOWING EIS CONTROL NUMBERS: 8 04102 7

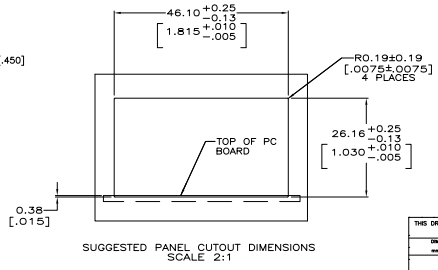
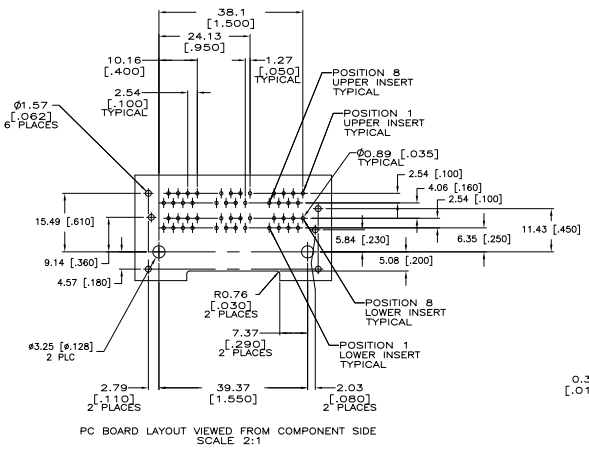
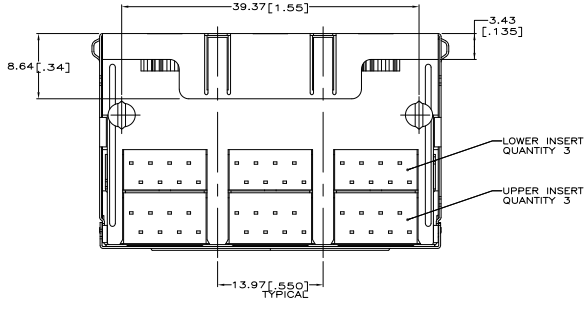
| REV | DATE | BY | CHK | REVISIONS |
|-----|------|----|-----|-----------------------|
| AA | 22 | | | DESIGN |
| D | | | | REV PER ECO-04-027908 |
| | | | | 23MAY07 TK JW |



△ MATERIAL: HOUSING - PCT POLYESTER, BLACK, UL94V-0. OVERMOLDED TERMINAL ARRAY - PBT, BROWN. TERMINALS - 0.33 [.013] THICK PHOS BRONZE PLATED WITH 1.27µm [.000050] MIN THICK HARD GOLD IN LOCALIZED AREA AND 3.81µm [.000150] MIN THICK TIN-LEAD IN SOLDER AREA OVER 1.27µm [.000050] MIN THICK NICKEL UNDERPLATE. SHIELD - 0.25 [.010] THICK COPPER ALLOY PLATED WITH 2.03µm [.000080] MIN TIN OVER 1.27µm [.000050] MIN NICKEL.

△ JACK CAVITY CONFORMS TO FCC RULES AND REGULATIONS, PART 68 SUBPART F.

△ DATE CODE LOCATED ON REAR OF PART APPROXIMATELY AS SHOWN: FIRST 2 DIGITS ARE LAST 2 DIGITS OF YEAR, SECOND 2 DIGITS ARE MANUFACTURING WORK WEEK, LAST DIGIT IS DAY OF WEEK, WITH SUNDAY = 1.



| | | | | | |
|---------------------------------------|-----|--|-----|----------|-------------|
| THIS DRAWING IS A CONTROLLED DOCUMENT | | DATE | REV | 569813-1 | PART NUMBER |
| DATE | REV | DATE | REV | DATE | REV |
| 108-1163-2 | 1 | 114-2048 | 1 | 100779 | 1 |
| CUSTOMER DRAWING | | STACKED MODULAR JACK ASSEMBLY, 2x3 PORT, CAT 5, B POSITION, SHIELDED, PANEL GROUND | | | |