

## **Excellent Integrated System Limited**

Stocking Distributor

Click to view price, real time Inventory, Delivery & Lifecycle Information:

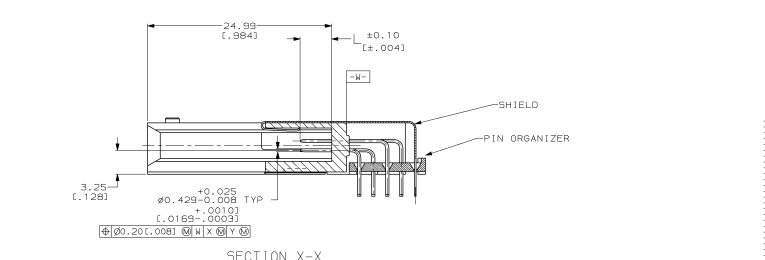
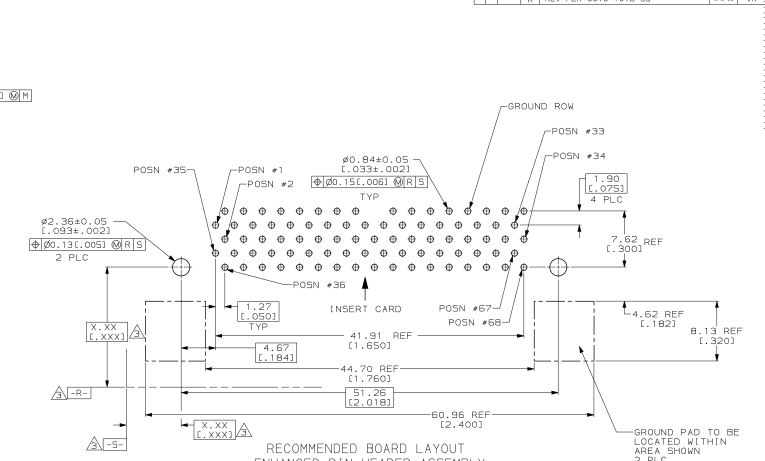
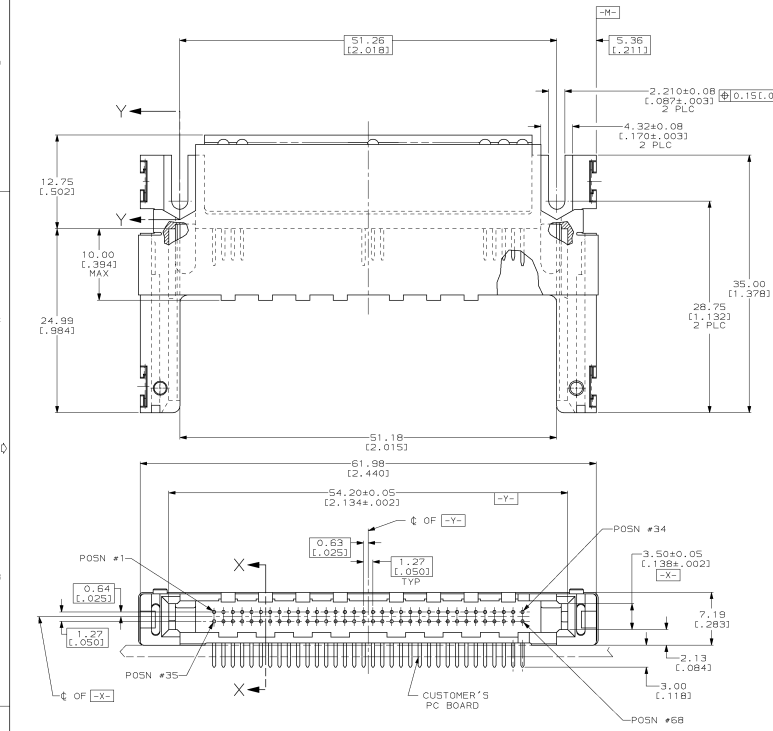
[TE Connectivity AMP Connectors](#)  
[146321-1](#)

For any questions, you can email us directly:

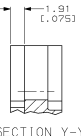
[sales@integrated-circuit.com](mailto:sales@integrated-circuit.com)

DRAWING MADE IN THIS OFFICE UNDER PROTECTION OF PATENT RIGHTS.  
 THIS DRAWING IS UNCLASSIFIED.  
 © COPYRIGHT 1985 BY AMP INCORPORATED. ALL INTERNATIONAL RIGHTS RESERVED.

REV	DATE	DESCRIPTION	BY	APP'D
0	RELEASED; WAS 94-1129-1B			VR
A	REV PER QD10-1018-95			VR



- 1 0.00076(0.00030) MINIMUM GOLD IN CONTACT AREA, 0.00381(0.00150) MIN TIN-LEAD ON SOLDER TAILS, ALL OVER 0.00127(0.00050) MINIMUM NICKEL
- 2 CUSTOMER TO PROVIDE CARD GUIDANCE SYSTEM
- 3 DATUMS AND BASIC DIMENSIONS ESTABLISHED BY CUSTOMER
- 4 CONNECTOR REQUIRES USE OF 2 SIZE 2M SCREWS FOR FASTENING TO PRINTED CIRCUIT BOARD
- 5 ASSEMBLY KEVED FOR LOW VOLT CARDS (3.3V).



VOLTAGE KEYING & IDENTIFICATION	1,17,34 5,0 (0.197)	ALL OTHER PINS 4,25 (0.167)	36,67 3,5 (0.138)	146321-1
*L* (PIN LENGTH AND LOCATION)				PART NO
DO NOT SCALE PRINT. UNLESS SPECIFIED DIMENSIONS IN MM (INCHES) TOLERANCES ON 0 PLC DEC 0.13 (0.005) 3 PLC DEC 0.13 (0.005)				AMP Incorporated Harrisburg, PA 17105-3608
MATERIAL: HOUSING & ORGANIZER, LCP, COLOR: BLACK; PIN: BRASS; SHIELD: PHOSPHOR BRONZE				PIN HEADER ASSEMBLY, 68 POSN, TOP BOARD MFG, THRU-HOLE, AMP ENHANCED MEMORY CARD
FINISH	APPLICATION SPEC	SIZE	CAGE CODE	DRAWING NO
CONTACT & SHIELD, Δ		D	00779	146321
WEIGHT		SCALE	4:1	SHEET 1 OF 1