

Excellent Integrated System Limited

Stocking Distributor

Click to view price, real time Inventory, Delivery & Lifecycle Information:

[TE Connectivity AMP Connectors](#)
[211510-1](#)

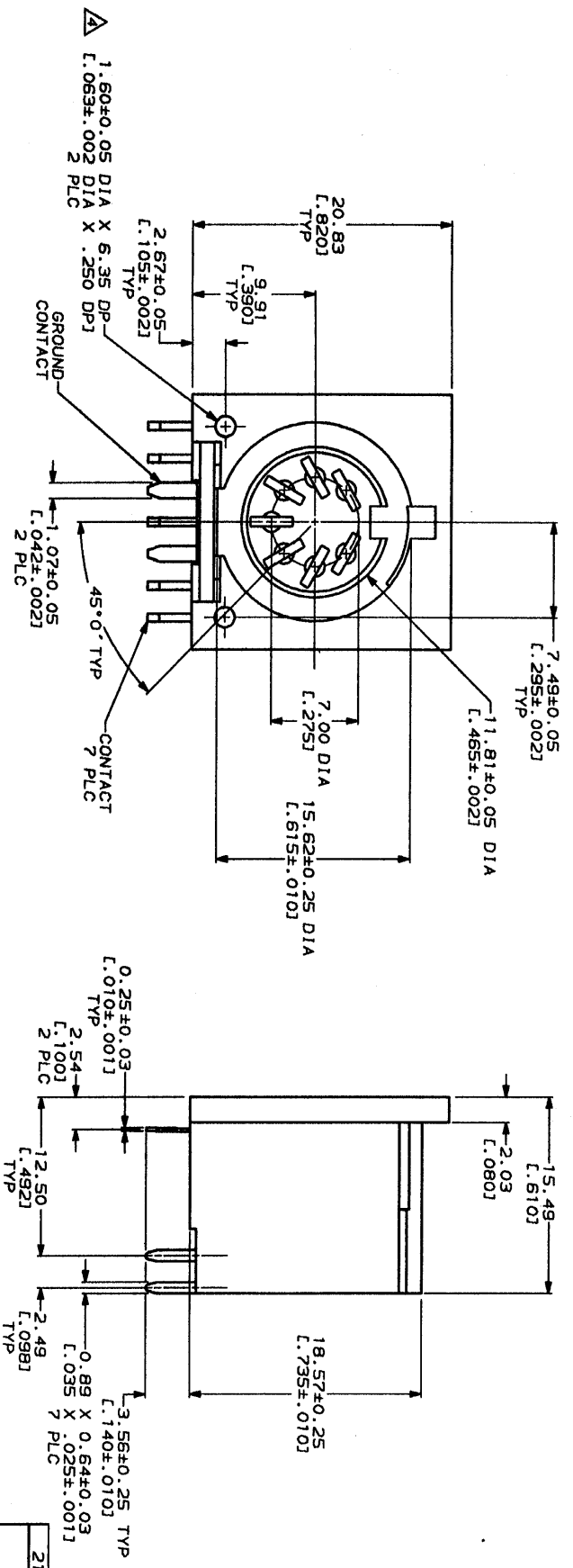
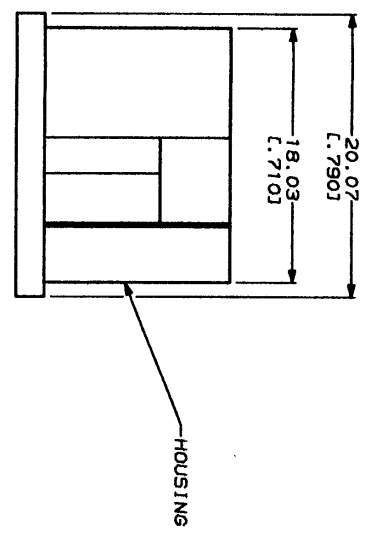
For any questions, you can email us directly:

sales@integrated-circuit.com



DRAWING MADE IN THIRD ANGLE PROJECTION
 THIS DRAWING IS UNPUBLISHED.
 RELEASED FOR PUBLICATION
 BY AMP CORPORATION, ALL INFORMATION, RIGHTS RESERVED.
 19

REV	DATE	BY	DESCRIPTION
1	8/22/91		
2			
3			
4			
5			
6			REDESIGN



- 1. NYLON, UL 94V-0 RATED, BLACK.
- 2. 54µm L.000100J MIN TIN-LEAD OVER 1.27µm L.000050J MIN NICKEL.
- 3. TIN PLATING PER MIL-T-10727, NICKEL PLATING PER QQ-N-290.
- 4. ACCEPTS #2 SELF-TAPPING SCREW, .250 LONG REF.
- 5. MATES WITH 7 POSITION SHIELDED DIN PLUG 212437-5.

DO NOT SCALE PRINT. DIMENSIONS SHOWN IN PARENTHESES TOLERANCES ON DIMENSIONS 3 PLC DEC ±0.13(.005) ANGLES ± 0°30'		DR 8/27/91 A. STABLE BS	
MATERIAL NYLON HOUSING, CONTACTS, GROUND CONTACT, FINISH, CONTACTS, GROUND CONTACT,		CHK: <i>J. Miller</i> 1/1-22-91 APPR: <i>J. Miller</i> 1/1-22-91 PRODUCT SPEC: 108-10047 APPL. SPEC: 114-40025 WEIGHT:	
NAME RECEPTACLE ASSY, RIGHT ANGLE, 7 POSITION, CIRCULAR DIN		AMP AMP Incorporated Harrisburg, PA 17105-3608	
SIZE 00779		DRAWING NO 211510	
SCALE 4:1		SHEET 1 OF 1	

CUSTOMER DRAWING

211510

PART NUMBER
 211510-1