

Excellent Integrated System Limited

Stocking Distributor

Click to view price, real time Inventory, Delivery & Lifecycle Information:

[TE Connectivity AMP Connectors
212034-1](#)

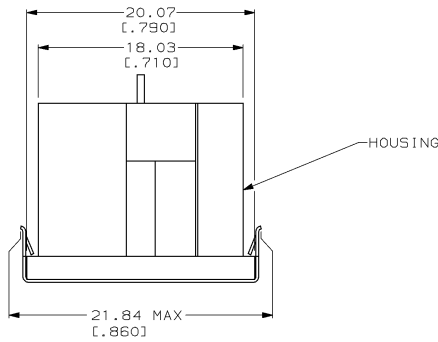
For any questions, you can email us directly:

sales@integrated-circuit.com

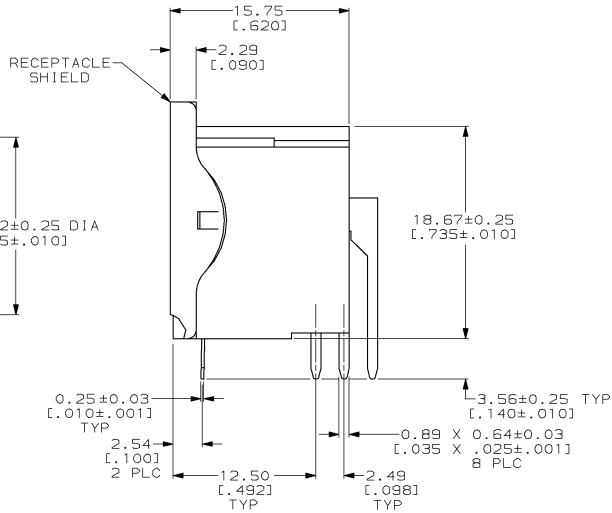
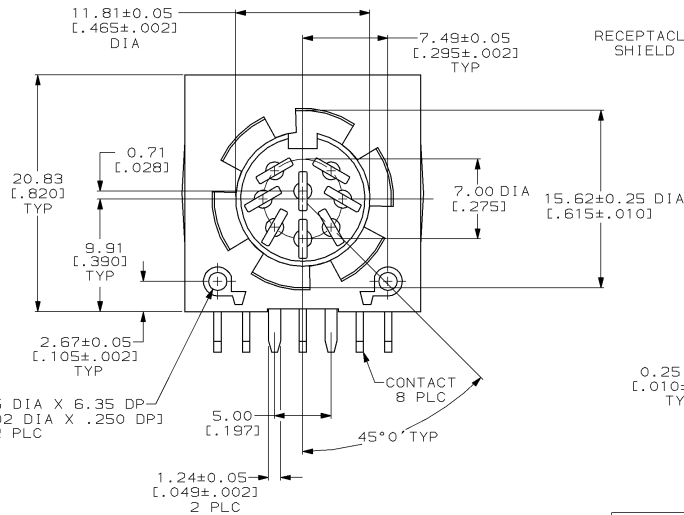
4 DRAWING MADE IN THIRD ANGLE PROJECTION

THIS DRAWING IS UNPUBLISHED. RELEASED FOR PUBLICATION , 19
 © COPYRIGHT 19 BY AMP INCORPORATED. ALL INTERNATIONAL RIGHTS RESERVED.

LOC		DIST		REV		REVISIONS		DATE	APPD
BD	20	P	F	ZONE	LTR	DESCRIPTION			
					D	REDRAWN		8/12/91	-
					E	REV PER EC0020-1394-93		12/26/93	SK



- △ NYLON, UL 94V-0 RATED, BLACK.
- △ 2.54μm [0.000100] MIN TIN-LEAD OVER 1.27μm [0.00050] MIN NICKEL.
- △ TIN PLATING PER MIL-T-10727, NICKEL PLATING PER QQ-N-290.
- △ ACCEPTS #2 SELF-TAPPING SCREW, .250 LONG REF.
- 5. MATES WITH 8 POSITION SHIELDED DIN PLUG 212437-6.
- △ BRASS PER ASTM B36.



212034-1
PART NO.

DO NOT SCALE PRINT. UNLESS SPECIFIED DIMENSIONS IN mm [INCHES] TOLERANCES ON + 2 PLC DEC ± 0.13(.005) 3 PLC DEC ± ANGLES ± 0°30'	DR 8/12/91 A. STAUB BG CHK 11/22/91 J. MCCLINTON APPD 11/22/91 D. ROKER APPD 11/22/91 C. RÖHDE	AMP Incorporated Harrisburg, PA 17105-3608 NAME RECEPTACLE ASSY, RIGHT ANGLE, SHIELDED, 8 POSITION, W/MTG HOLES, CIRCULAR DIN
MATERIAL HOUSING: △ CONTACTS: △ RECEPTACLE SHIELD: △	PRODUCT SPEC 108-10047	
FINISH CONTACTS: △ RECEPTACLE SHIELD: △	APPLICATION SPEC 114-40025	SIZE CAGE CODE DRAWING NO C 00779 212034
	WEIGHT -	SCALE 4:1 SHEET 1 OF 1