

Excellent Integrated System Limited

Stocking Distributor

Click to view price, real time Inventory, Delivery & Lifecycle Information:

[TE Connectivity AMP Connectors](#)
[212046-1](#)

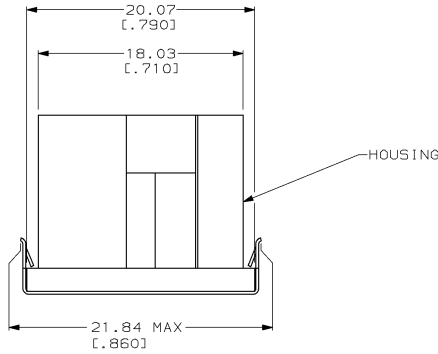
For any questions, you can email us directly:

sales@integrated-circuit.com

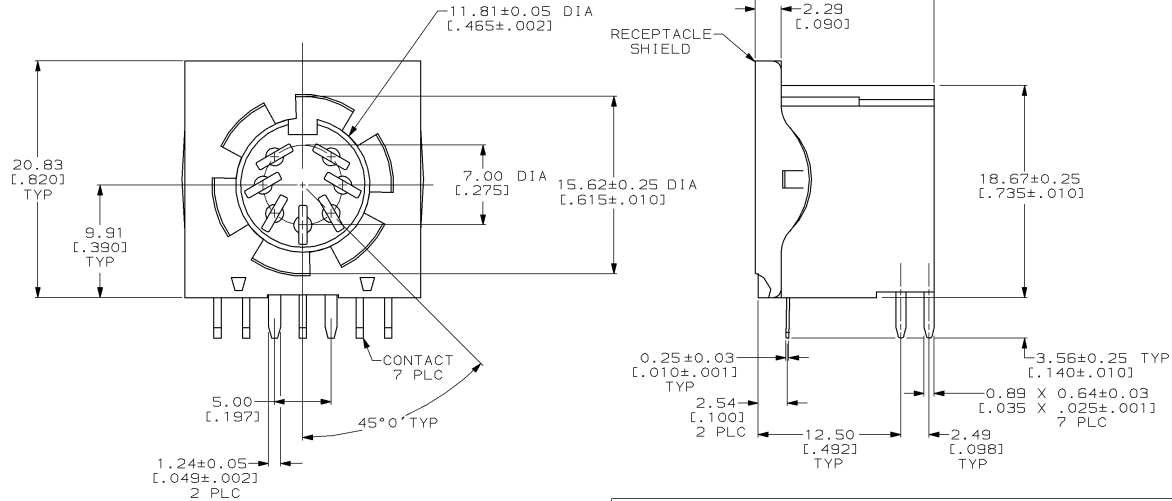
4
 DRAWING MADE IN THIRD ANGLE PROJECTION

THIS DRAWING IS UNPUBLISHED. RELEASED FOR PUBLICATION
 © COPYRIGHT 19 BY AMP INCORPORATED. ALL INTERNATIONAL RIGHTS RESERVED.

LOC	DIST	P	F	ZONE	LTR	REVISIONS		
						DESCRIPTION	DATE	APPD
BD	20				E	REDRAWN	8/14/91	-
					F	REV PER EC0020-1394-93	12/20/93	SK



- ▲ NYLON, UL 94V-0 RATED, BLACK.
- ▲ 2.54μm [0.000100] MIN TIN-LEAD OVER 1.27μm [0.000050] MIN NICKEL.
- ▲ TIN PLATING PER MIL-T-10727, NICKEL PLATING PER QQ-N-290.
- 4. MATES WITH 7 POSITION SHIELDED DIN PLUG 211505.
- ▲ BRASS PER ASTM B36.



212046-1
 PART NUMBER

DO NOT SCALE PRINT. UNLESS SPECIFIED DIMENSIONS IN mm [INCHES] TOLERANCES ON + 2 PLC DEC ±0.13(.005) 3 PLC DEC ± ANGLES ± 0°30'	DR 8/14/91 A. STAUB BG CHK 11/22/91 J. MCCLINTON APPD 11/22/91 D. ROKER	AMP Incorporated Harrisburg, PA 17105-3608 NAME RECEPTACLE ASSY, RIGHT ANGLE, SHIELDED, 7 POSITION, CIRCULAR DIN
MATERIAL FINISH: ▲ CONTACTS: ▲ RECEPTACLE SHIELD: ▲	PRODUCT SPEC 108-10047	
FINISH HOUSING: ▲ CONTACTS: ▲ RECEPTACLE SHIELD: ▲	APPLICATION SPEC 114-40025	SIZE CAGE CODE DRAWING NO C 00779 212046
	WEIGHT -	SCALE 4:1 SHEET 1 OF 1