

Excellent Integrated System Limited

Stocking Distributor

Click to view price, real time Inventory, Delivery & Lifecycle Information:

[TE Connectivity AMP Connectors](#)
[212572-2](#)

For any questions, you can email us directly:

sales@integrated-circuit.com

4

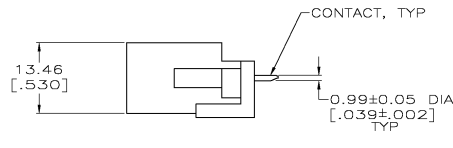
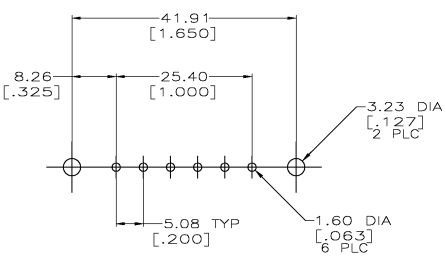
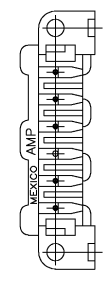
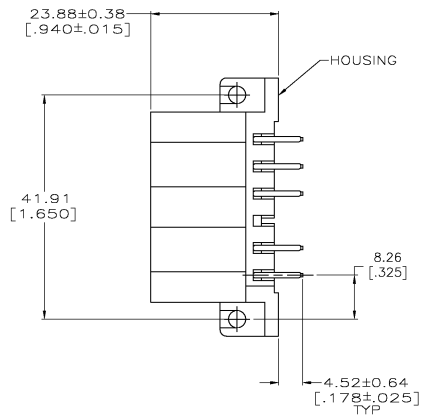
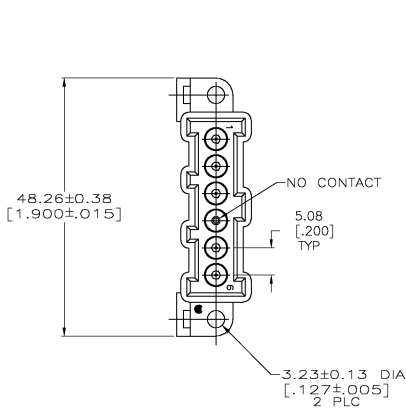
3

2

1

THIS DRAWING IS UNPUBLISHED. RELEASED FOR PUBLICATION
 © COPYRIGHT BY TYCO ELECTRONICS CORPORATION. ALL RIGHTS RESERVED.

LOC		DIST		REVISIONS			
FT	0	REV	LYR	DESCRIPTION	DATE	OWN	APP'D
F				REVISED PER 0C39-0168-05	3/11/09	SS	GS



RECOMMENDED PC BOARD LAYOUT

- △ THERMOPLASTIC, RED.
- △ BRASS PER MIL-C-50.
- △ 3.81µm [.000150] MIN TIN-LEAD OVER COPPER 2.54µm [.000100] MIN PER MIL-C-14550 OR NICKEL 1.27µm [.000050] MIN PER QQ-N-290.
- △ 3.81µm [.000150] MIN TIN OVER COPPER 2.54µm [.000100] MIN PER MIL-C-14550 OR NICKEL 1.27µm [.000050] MIN PER QQ-N-290.

△	212572-3
△	212572-2
FINISH	PART NUMBER

THIS DRAWING IS A CONTROLLED DOCUMENT. **OWN** Q. HARDY 09-13-94 **DATE**
CHK B. STONE 10-27-94 **REV**
NAME Tyco Electronics Corporation
 Tyco Electronics Corporation
 Harrisburg, Pa 17105-3608

DIMENSIONS:	TOLERANCES UNLESS OTHERWISE SPECIFIED:	PRODUCT SPEC:	SIZE:	CAGE CODE:	DRAWING NO:	RESTRICTED TO:
mm [INCHES]	0 PLC ± .127	—	A2	00779	212572	—
	1 PLC ± .254 [0.10]	APPLICATION SPEC:				
	2 PLC ± .381	—				
	3 PLC ± .508	—				
	4 PLC ± .635	—				
	ANGLES ± .5	—				

MATERIAL: △ HOUSING: △ CONTACTS: △
 WEIGHT: —
 FINISH: △ CONTACTS: SEE TABLE
 CUSTOMER DRAWING SCALE: 2:1 SHEET 1 OF 1 REV F