

Excellent Integrated System Limited

Stocking Distributor

Click to view price, real time Inventory, Delivery & Lifecycle Information:

[TE Connectivity AMP Connectors](#)
[227716-3](#)

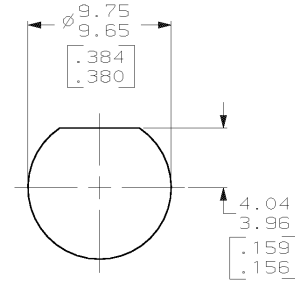
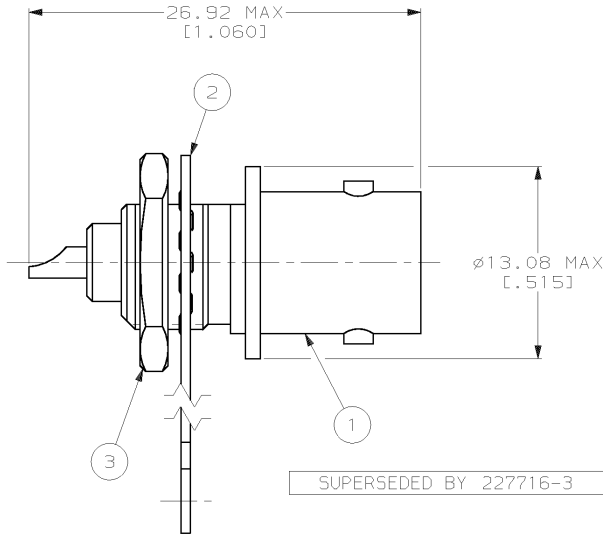
For any questions, you can email us directly:

sales@integrated-circuit.com

DRAWING MADE IN THIRD ANGLE PROJECTION

THIS DRAWING IS UNPUBLISHED. RELEASED FOR PUBLICATION .19
 © COPYRIGHT 19 BY AMP INCORPORATED. ALL INTERNATIONAL RIGHTS RESERVED.

LOC	DIST	P	F	ZONE	LTR	DESCRIPTION	DATE	APPD
AJ	16							
				C		REDWN & OBS -2 PER AJ-2713	07-26-91	BAS
				D		SUPSD -1 PER AJ-6066	09-16-92	KT
				E		REV PER 0220-0371-94	6-1-94	JL



RECOMMENDED PANEL CUTOUT

SUPERSEDED BY 227716-3

1-330249-1	227260-2	227717-3	227716-3
1-330249-1	227260-2	227717-1	227716-1
③ JAM NUT QTY=1	② LOCKWASHER, TERMINAL QTY=1	① JACK ASSY QTY=1	PART NUMBER

DO NOT SCALE PRINT. UNLESS SPECIFIED DIMENSIONS IN mm (INCHES) TOLERANCES ON:		AMP AMP Incorporated Harrisburg, PA 17105-3608	
MATERIAL	-	NAME	SOLDER JACK, SERIES BNC
FINISH	-	SIZE	B
		CASE CODE	00779
		DRAWING NO	227716
		SCALE	4:1
		SHEET	1 OF 1