

## **Excellent Integrated System Limited**

Stocking Distributor

Click to view price, real time Inventory, Delivery & Lifecycle Information:

[TE Connectivity AMP Connectors  
322090](#)

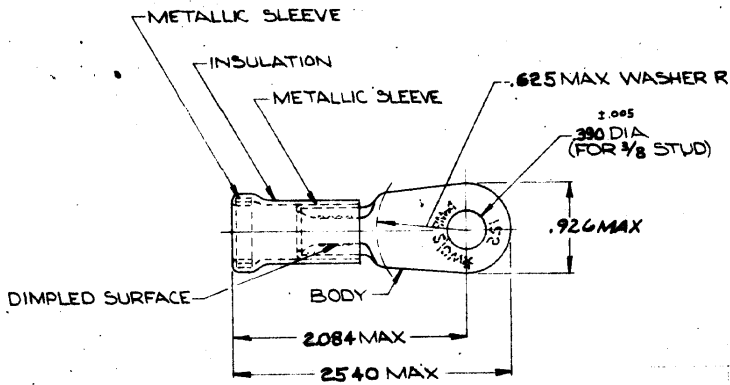
For any questions, you can email us directly:

[sales@integrated-circuit.com](mailto:sales@integrated-circuit.com)

DRAWING MADE IN AMERICAN PROJECTION

© 1953 BY AMP INCORPORATED. ALL RIGHTS RESERVED. AMP PRODUCTS COVERED BY PATENTS AND/OR PATENTS PENDING.

REVISIONS				
ZONE	LTR	DESCRIPTION	DATE	APPROVED
C		<del>REVISION REV 1 REMOVED &amp; REWORK 1-6-70</del>	1-6-70	Stull
D		REVISED PER ECN Pc-6864	6-22	MB
E		REV 6-4680	5-9-88	JT



TONGUE MATERIAL THICKNESS = .080  
 FOR .684 MAX WIRE INS. DIA

1	WIRE TERMINAL	322090	BODY: COPPER (QQ-C-576) TIN PL (MIL-T-10727) INSULATION: PVC COLOR: YELLOW METALLIC SLEEVE: COPPER (QQ-C576) METALLIC BAND: STEEL QQ-S-638 (ASTM A103) MATERIAL & FINISH
QTY DESCRIPTION PART NO. UNLESS OTHERWISE SPECIFIED DIMENSIONS ARE IN INCHES TOLERANCES ON DECIMALS: .005 ANGLES: .5°		CONTRACT NO. DR. <i>[Signature]</i> 1-6-70 CHR. <i>[Signature]</i> 1-6-70 APD. <i>[Signature]</i> 1-7-70 DSGN APPD. <i>[Signature]</i> 1-8-70 OTHER APPD.	AMP INCORPORATED HARRISBURG, PENNSYLVANIA <b>AMP</b> NAME: WIRE TERMINAL AMPLI-BOND-RING TONGUE WIRE SIZE: 2/0 SIZE: B CODE IDENT NO.: 00779 NUMBER: 322090 SCALE: NTS SHEET: 1 OF 1