

Excellent Integrated System Limited

Stocking Distributor

Click to view price, real time Inventory, Delivery & Lifecycle Information:

[TE Connectivity AMP Connectors
322125](#)

For any questions, you can email us directly:
sales@integrated-circuit.com



Distributor of TE Connectivity AMP Connectors: Excellent Integrated System Limited
 Datasheet of 322125 - CONN RING 2 AWG #1/4 RED A-BOND

4

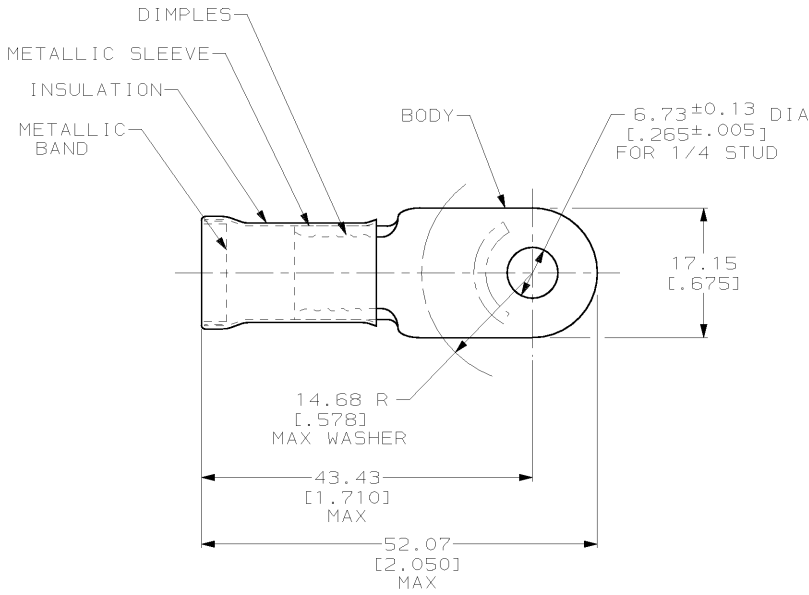
3

2

1

THIS DRAWING IS UNPUBLISHED. RELEASED FOR PUBLICATION .19 .
 BY AMP INCORPORATED. ALL RIGHTS RESERVED.

| LOC | | DIST | | REVISIONS | | | |
|-----|-----|-------------|--------------------------|-----------|------|-----|--|
| P | LTR | DESCRIPTION | DATE | DWN | APVD | | |
| G | 14 | F | REVISED PER 0L20-0178-97 | 03NOV97 | DKS | CHK | |



- 1 MATERIAL THK: 1.45 ± 0.08 [0.057 ± 0.003]
- 2 WIRE INSULATION DIA: 12.83 [0.505] MAX
- 3 TIN PL 0.00254 [0.000100] MIN THK PER ASTM B-545
- 4 GOLD PL 0.00127 [0.000050] MIN EXT THK PER MIL-G-45204 OVER NICKEL PL 0.00076 [0.000030] MIN EXT THK PER QQ-N-290

| | |
|---|---|
| <u>BODY:</u> COPPER PER ASTM B-152 | OBSOLETE 2-322125-1 322125 AMP PART NUMBER |
| <u>INSULATION:</u> PVC <u>COLOR:</u> RED | |
| <u>METALLIC SLEEVE:</u> COPPER PER ASTM B-152 | |
| <u>METALLIC BAND:</u> STEEL PER ASTM A-109 | |
| MATERIAL & FINISH | |

AMP INCORPORATED
 CUSTOMER SERVICE SYSTEMS

THIS DRAWING IS A CONTROLLED DOCUMENT.

| | | |
|--|--|--|
| FOR ADDITIONAL PRODUCT INFORMATION OR COPIES OF DRAWINGS AND TECHNICAL DOCUMENTS | PRODUCT INFORMATION CENTER 1-800-522-6752 | RECOMMENDED OPERATING TEMPERATURE: 105°C MAX |
| FOR APPLICATION TOOLING INFORMATION | TOOLING ASSISTANCE CENTER 1-800-722-1111 | VOLTAGE RATING: NOT APPLICABLE |
| FOR ORDER ENTRY | 1-800-526-5142 | WIRE CROSS SECTIONAL AREA RANGE: 26.7-42.4mm ² [52,600-83,700] CIR MILS SOLID OR STRANDED |

| | |
|----------------------------|--|
| DIMENSIONS: mm [INCHES] | TOLERANCES UNLESS OTHERWISE SPECIFIED: |
| | 3 PLC ±- |
| | 1 PLC ±- |
| | 2 PLC ±0.20 [0.008] |
| | 3 PLC ±- |
| | 4 PLC ±- |
| | ANGLES ±- |
| MATERIAL | FINISH |
| SEE TABLE | SEE TABLE |

| | | | |
|-----------------------------|---|------------------|--|
| DWN DK SCHRUM 03NOV97 | AMP Incorporated Harrisburg, PA 17105-3608 | NAME | TERMINAL, RING TONGUE, AMPLI-BOND™, WIRE SIZE: 2 AWG |
| CR MJ SPICER 03NOV97 | | APVD | JL MECKLEY 03NOV97 |
| PRODUCT SPEC | | APPLICATION SPEC | RESTRICTED TO |
| SIZE | CAGE CODE | DRAWING NO | 322125 |
| WEIGHT | | | |
| CUSTOMER DRAWING | | SCALE | 2:1 |
| | | SHEET | 1 OF 1 |
| | | REV | F |

AMP 1470-19 REV 11 JUN97