



Distributor of TE Connectivity AMP Connectors: Excellent Integrated System Limited

Datasheet of 328525 - CONN RING 8 AWG #5/16 AMPL-BOND

Contact us: sales@integrated-circuit.com Website: www.integrated-circuit.com

Excellent Integrated System Limited

Stocking Distributor

Click to view price, real time Inventory, Delivery & Lifecycle Information:

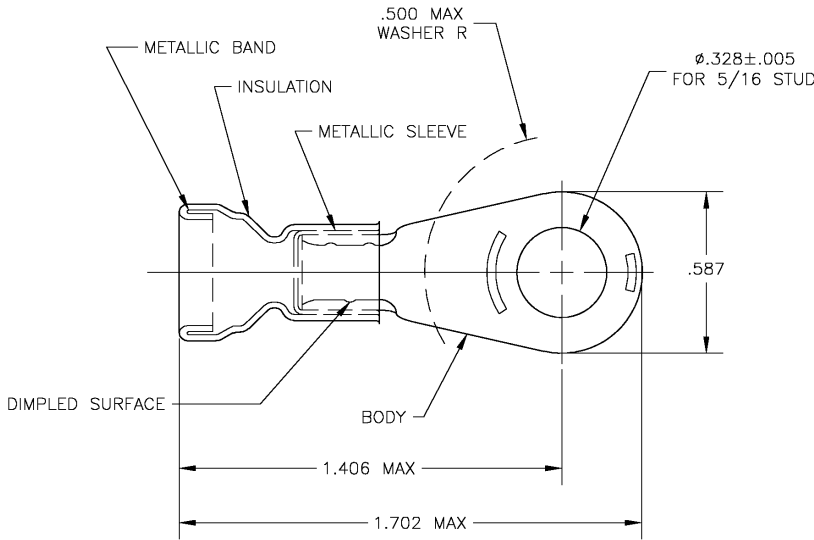
[TE Connectivity AMP Connectors
328525](#)

For any questions, you can email us directly:

sales@integrated-circuit.com

THIS DRAWING IS UNPUBLISHED. RELEASED FOR PUBLICATION
 COPYRIGHT BY TYCO ELECTRONICS CORPORATION. ALL RIGHTS RESERVED.

LOC	DIST	REVISIONS			
P	LR	DESCRIPTION	DATE	DWN	APVD
G	14	C	REDRAWN PER 0G3A-0589-03	030CT03	JR MS



- 1 TONGUE MATERIAL THK IS .040±.003
- 2 FOR .377 MAX WIRE INSULATION DIA.
- 3 WIRE SIZE: 8

1	BODY: COPPER PER ASTM B152 TIN PLATE PER ASTM B545 INSULATION: PVC, COLOR RED METALLIC SLEEVE: COPPER ASTM B152 METALLIC BAND: STEEL QQ-S-698 ASTM A109	328525-0
QTY	MATERIAL & FINISH	PART NO.

THIS DRAWING IS A CONTROLLED DOCUMENT.		DWN jr_ruth 020CT03	Tyco Electronics Corporation Harrisburg, PA 17105	
DIMENSIONS: INCHES		CHK MJ SPICER 030CT03	NAME	
TOLERANCES UNLESS OTHERWISE SPECIFIED:		APVD MJ SPICER 030CT03	WIRE TERMINAL AMPLI-BOND, RING TONGUE WIRE SIZE: 8	
0 PLC ± -	1 PLC ± -	PRODUCT SPEC	SIZE	CAGE CODE
2 PLC ± -	3 PLC ± .008	APPLICATION SPEC	A3	00779
4 PLC ± -	ANGLES ± S	WEIGHT	DRAWING NO 328525	
MATERIAL SEE TABLE	FINISH SEE TABLE	CUSTOMER DRAWING	SCALE	3:1
			SHEET	1 OF 1
			REV	C