

Excellent Integrated System Limited

Stocking Distributor

Click to view price, real time Inventory, Delivery & Lifecycle Information:

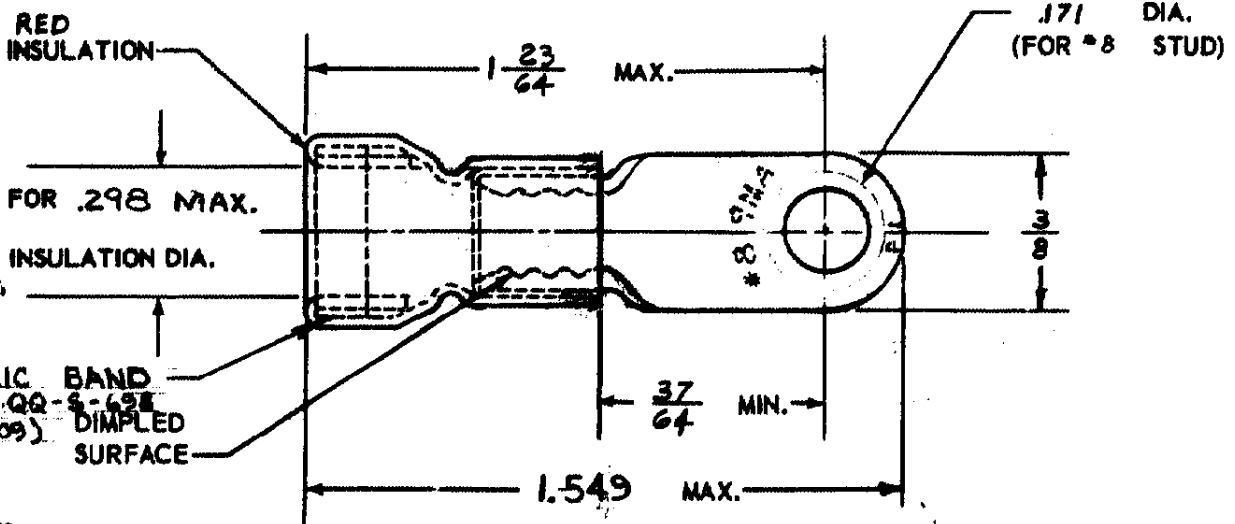
[TE Connectivity AMP Connectors
330600](#)

For any questions, you can email us directly:

sales@integrated-circuit.com

© 1963 BY AMP INCORPORATED. ALL RIGHTS RESERVED. AMP PRODUCTS COVERED BY PATENTS AND/OR PATENTS PENDING.

REVISIONS			
SYM	DESCRIPTION	DATE	APPD
A	TAN. RAD. ON TONGUE	10-2-63	JH
B	PER P-8292	1-30-79	JH
C	REV. PER P-8347	REB. 4/9/79	JH
D	REV G-4680	TMS 5-9-82	JT



AMP INFO
 LOC PRINTED
 G 14 (D)

TONGUE MATERIAL THICKNESS .040

UNLESS OTHERWISE SPECIFIED DIMENSIONS ARE IN INCHES		
FRACTIONS ± 1/64	DECIMALS ± .015	ANGLES ± 5°
MATERIAL COPPER (MIL-Q-Q-C-576)	TERMINAL P.V.C. INSULATION	SLEEVE
HEAT TREAT ANNEALED		
FINISH TIN PLATED (MIL-T-10727)		NONE

SIGNATURE	DATE
<i>T. Lanthier</i>	8-15-63
CHK <i>J. W. Harris</i>	8/19/63
DESIGNER	
APPD <i>J. W. Harris</i>	8/19/63

AMP AMP INCORPORATED
 HARRISBURG, PENNSYLVANIA

NAME
WIRE TERMINAL
 AMPLI-BOND*
 RING TONGUE
 WIRE SIZE 8

DESIGN APPD	CODE IDENT NO 00779	SIZE A	NUMBER 330600
OTHER APPD	SCALE 2:1	WT	CALC ACTUAL SHEET 1 OF 1

330600