

## **Excellent Integrated System Limited**

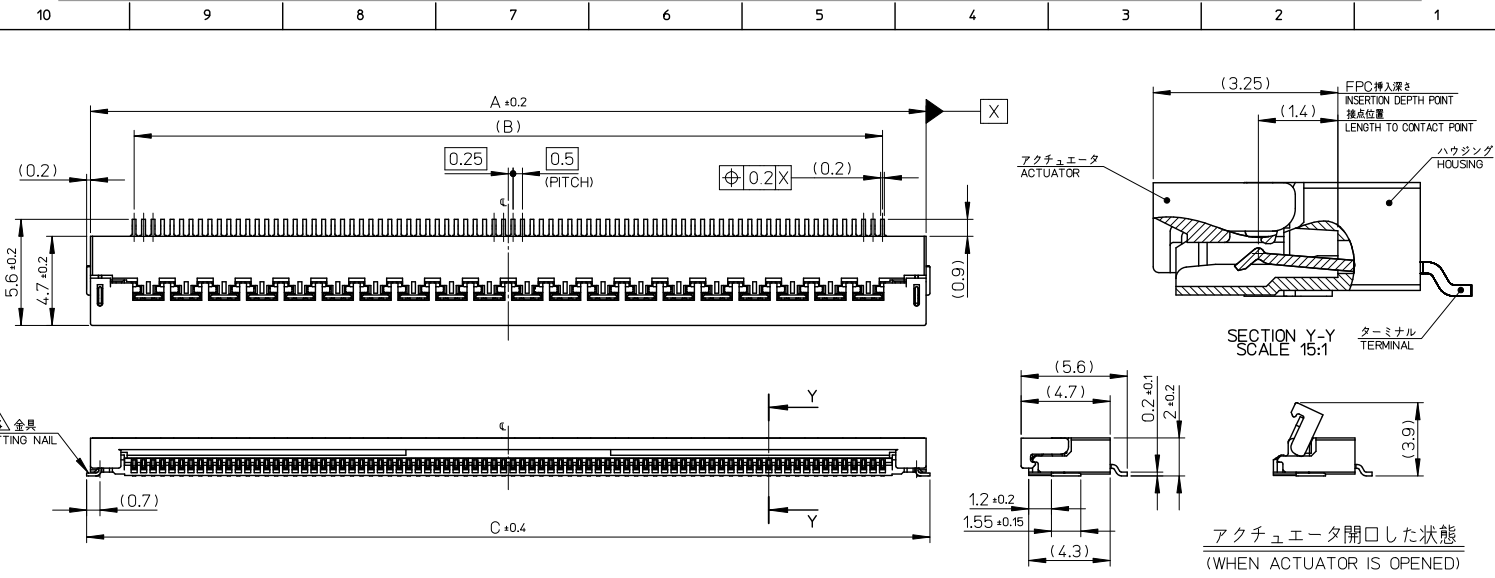
Stocking Distributor

Click to view price, real time Inventory, Delivery & Lifecycle Information:

[Molex Connector Corporation](#)  
[5033668011](#)

For any questions, you can email us directly:

[sales@integrated-circuit.com](mailto:sales@integrated-circuit.com)



**注記 NOTES**

1. 使用材料 MATERIAL  
 ハウジング : 液晶ポリマー ガラス充填, UL94-V0(黒)  
 HOUSING : LIQUID CRYSTAL POLYMER GLASS FILLED, UL94V-0(BLACK)  
 アクチュエータ : PPS ガラス充填, UL94-V0(黒)  
 ACTUATOR : PPS GLASS FILLED, UL94V-0(BLACK)  
 ターミナル : リン青銅(≒0.203)  
 TERMINAL : PHOSPHOR BRONZE  
 金具 : リン青銅(≒0.152)  
 FITTING NAIL : PHOSPHOR BRONZE

2. めっき仕様 PLATING  
 ターミナル TERMINAL : ニッケル下地金めっき  
 GOLD(AU) OVER NICKEL(NI) PLATING.  
 金具 FITTING NAIL : 鍍めつき  
 TIN(Sn) PLATING.  
 3. エンボスターフ梱包時は、アクチュエータが閉じた状態とする。  
 IN THE PACKAGE, ACTUATOR OF PART 503366-\*\*\*11 SHOULD BE CLOSED.

△ パターン剥離止め用金具 FITTING NAIL FOR PREVENTION OF PEELING OF P.C.B. PATTERN.

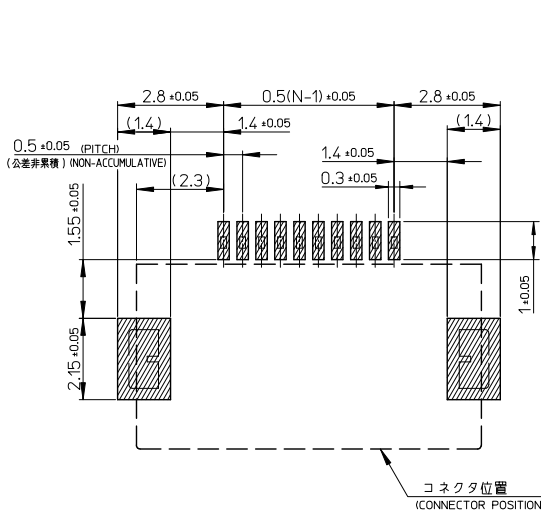
- △ R0.3は、FPC導体部にかからないこと。  
 R0.3 MUST NOT BE OVERLAPPED TO PATTERN OF FPC.  
 6. N: 極数 N: CIRCUIT.  
 7. ELV及びRoHS適合品  
 ELV AND RoHS COMPLIANT

44.5	39.5	44.1	503366-8011	80
34.5	29.5	34.1	503366-6011	60
C	B	A	EMBOSSED TAPE	CIRCUIT
ORDER No. オータ-番号				

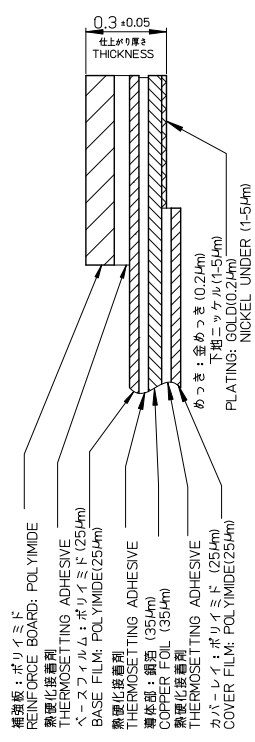
CONNECTOR SERIES No. : 503366-\*\*\*19

REVISED EC NO. J2010-2127 DRAWN: YKOBAYASHI 02/2010/04/22 CHKD: NMATSUURA 2010/04/23 APPR: KMORIKAWA 2010/04/25	GENERAL TOLERANCES (UNLESS SPECIFIED)		DIMENSION STYLE MM ONLY		SCALE 5:1	DESIGN UNITS METRIC	THIRD ANGLE PROJECTION
	10 UNDER	± ---	DRAWN BY YKOBAYASHI 02	DATE 2010/01/05	TITLE 0.5FFC E/O H=2 GANG ASSY TYPE HOUSING ASSY		
	10 OVER 30 UNDER	± ---	CHECKED BY NMATSUURA	DATE 2010/01/05	MOLEX INCORPORATED		
	30 OVER	± ---	APPROVED BY KMORIKAWA	DATE 2010/01/05	DOCUMENT NO. SD-503366-001	SHEET NO. 1 OF 2	
A	ANGULAR ±1 °	DRAFT WHERE APPLICABLE MUST REMAIN WITHIN DIMENSIONS		SEE CHART THIS DRAWING CONTAINS INFORMATION THAT IS PROPRIETARY TO MOLEX INCORPORATED AND SHOULD NOT BE USED WITHOUT WRITTEN PERMISSION			

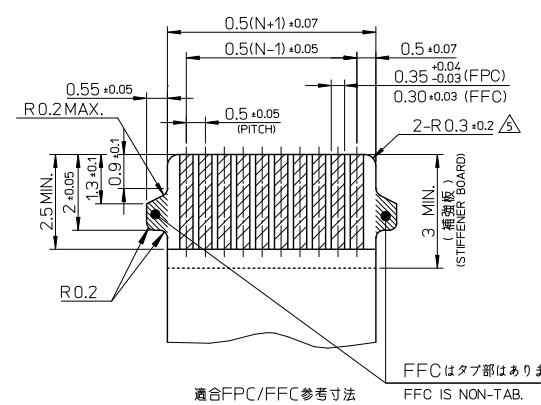
10 9 8 7 6 5 4 3 2 1



参考基板レイアウト  
P.W.BOARD PATTERN  
DIMENSION (REF.)  
(マウント面)  
(MOUNTING SIDE)



FPC構成推奨仕様  
STRUCTURE OF FPC



適合FPC/FFC参考寸法  
APPLICABLE FPC/FFC  
DIMENSION (REF.)

FFCはタブ部はありません。  
FFC IS NON-TAB.

FPC/FFCについて:  
打ち抜き方向は導体側から補強板側を推奨します。  
導体部については軟銅箔35µmまたは50µmを推奨します。

ABOUT FPC/FFC  
RECOMMENDED PUNCHER DIRECTION : FROM CONDUCTOR SIDE TO STIFFENER FILM SIDE.  
RECOMMENDED CONDUCTOR SPEC :  
THICKNESS OF SOFT COPPER FOIL : 35 MICROMETER OR 50 MICROMETER.

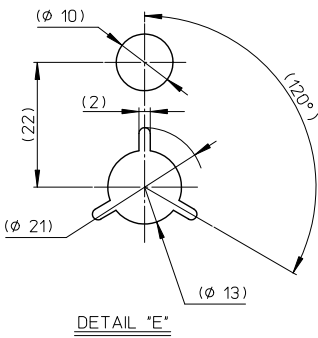
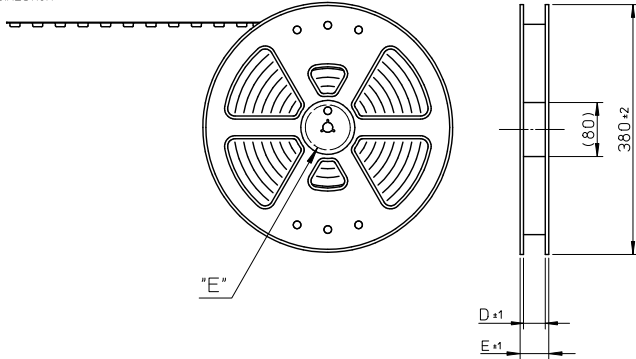
FPCについて:  
補強フィルム材質はポリイミドを推奨します。ベースフィルムは25µmを推奨します。  
接着剤は熱硬化接着剤を推奨します。  
尚、接着剤の接点部への付着は導通不良の原因になりますので、染み出しが無い様お願い致します。

ABOUT FPC  
RECOMMENDED MATERIAL/THICKNESS.  
STIFFENER FILM : POLYIMIDE  
BASE FILM THICKNESS : 25µm  
BONDING AGENT : THERMOSETTING BONDING AGENT  
PLEASE PUT APPROPRIATE AMOUNT OF ADHESIVE ON ADHEREND BECAUSE THERE IS A POSSIBILITY THAT THE EXTRA ADHESIVE CAUSES THE DEFECT IN ELECTRICAL CONTINUITY.

SEE SHEET 1 OF 2 EC NO. J2010-2127 DRAWN: YKOBAYASHI 02 2010/04/22 CHKD: NMATSUURA 2010/04/23 APPR: KMORIKAWA 2010/04/25	GENERAL TOLERANCES (UNLESS SPECIFIED)		DIMENSION STYLE	SCALE	DESIGN UNITS	THIRD ANGLE PROJECTION
			MM ONLY	5:1	METRIC	
	10 UNDER	± ---	DRAWN BY	DATE	TITLE	
	10 OVER	30 UNDER	YKOBAYASHI 02	2010/01/05	0.5FPC E/O H=2 GANG ASSY TYPE HOUSING ASSY	
30 OVER	± ---	CHECKED BY	DATE	MOLEX INCORPORATED		
ANGULAR	±1 °	NMATSUURA	2010/01/05			
DRAFT WHERE APPLICABLE WITHIN DIMENSIONS		APPROVED BY	DATE	DOCUMENT NO.	SHEET NO.	
		KMORIKAWA	2010/01/05	SD-503366-001	2 OF 2	
		SEE SHEET 1		THIS DRAWING CONTAINS INFORMATION THAT IS PROPRIETARY TO MOLEX INCORPORATED AND SHOULD NOT BE USED WITHOUT WRITTEN PERMISSION		

10 9 8 7 6 5 4 3 2 1

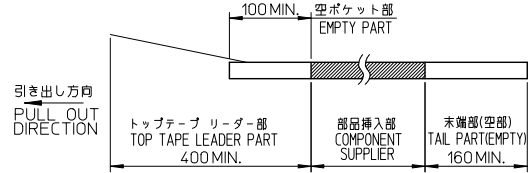
引き出し方向  
PULL OUT  
DIRECTION



**NOTES**

1. 梱包数量 : 2000個/リール  
NUMBER OF CONNECTORS : 2000PIECES/REEL

2. リードテープ長さ  
LEAD TAPE LENGTH



3. 製品詳細寸法については図面 SD-503366-001を参照下さい。  
FOR DIMENSIONS OF PRODUCT, REFER TO SD-503366-001.

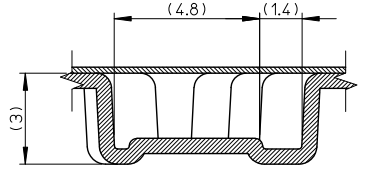
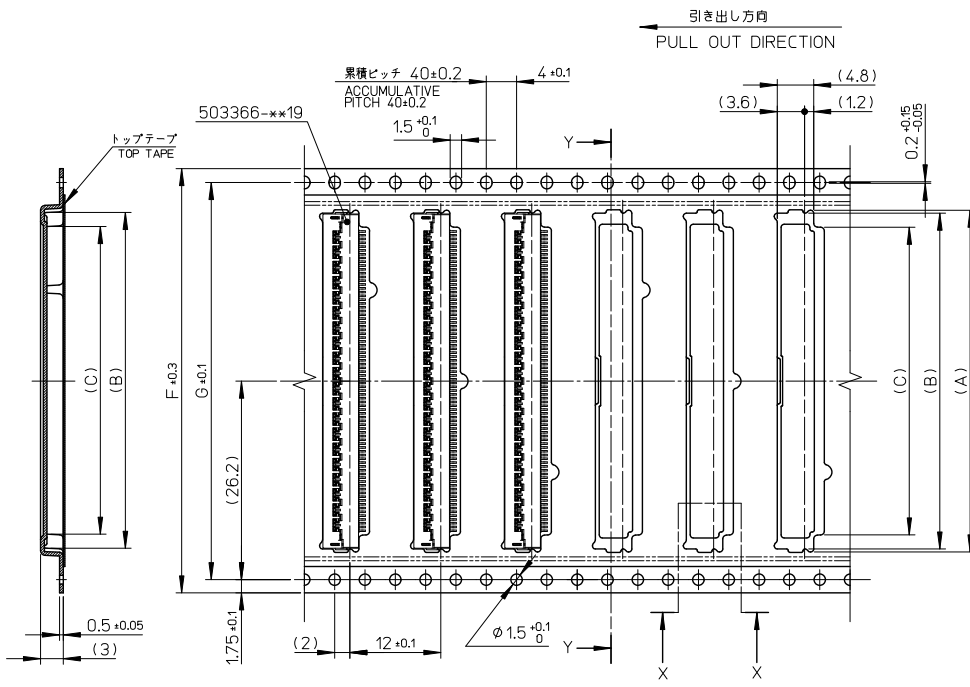
**4. 材料 MATERIAL**

キャリアテープ : ポリステレン  
CARRIER TAPE : POLYSTYRENE  
トップテープ : ポリエチレンテレフタレート, ポリエチレン  
TOP TAPE : POLYETHYLENE TEREPHTHALATE , POLYETHYLENE  
リール : ポリステレン<リサイクル材を含む>  
REEL : POLYSTYRENE<RECYCLE MATERIAL CONTAINED>

5. ELV及びRoHS適合品 ELV AND RoHS COMPLIANT

REVISED EC NO: J2010-2127 DRAWN: YKOBAYASHI 02 2010/04/22 CHKD: NMATSUURA 2010/04/23 APPR: KMORIKAWA 2010/04/25 REV: A	GENERAL TOLERANCES (UNLESS SPECIFIED)		DIMENSION STYLE MM ONLY	SCALE 5:1	DESIGN UNITS METRIC	THIRD ANGLE PROJECTION
	10 UNDER	± ---	DRAWN BY YKOBAYASHI 02 2010/01/05	TITLE 0.5FFPC E/O H=2 GANG ASSY TYPE EMBSTP PACKAGE		
	10 OVER 30 UNDER	± ---	CHECKED BY NMATSUURA 2010/01/05	MOLEX INCORPORATED		
	30 OVER	± ---	APPROVED BY KMORIKAWA 2010/01/05	DOCUMENT NO. SD-503366-002		
ANGULAR ±1 °		MATERIAL NO. SEE SHEET 2		SHEET NO. 1 OF 2		
DRAFT WHERE APPLICABLE MUST REMAIN WITHIN DIMENSIONS		THIS DRAWING CONTAINS INFORMATION THAT IS PROPRIETARY TO MOLEX INCORPORATED AND SHOULD NOT BE USED WITHOUT WRITTEN PERMISSION				

10 9 8 7 6 5 4 3 2 1



SECTION X-X  
SCALE 8:1

SECTION Y-Y

56	52.4	56	61.4	57.4	40.6	44.3	45.1	503366-8011	80
	52.4	56	61.4	57.4	30.6	34.3	35.1	503366-6011	60
キャリアテープ幅 CARRIER TAPE WIDTH	G	F	E	D	C	B	A	製品番号 MATERIAL NO.	極数 CIRCUIT

SEE SHEET 1 OF 2 EC NO. J2010-2127 DRAWN: YKOBAYASHI 02 2010/04/22 CHKD: NMATSUURA 2010/04/23 APPR: KMORIKAWA 2010/04/25	GENERAL TOLERANCES (UNLESS SPECIFIED)		DIMENSION STYLE MM ONLY		SCALE 2:1	DESIGN UNITS METRIC	THIRD ANGLE PROJECTION	
	10 UNDER	± ---	DRAWN BY	DATE	TITLE			
	10 OVER 30 UNDER	± ---	YKOBAYASHI 02	2010/01/05	0.5FFPC E/O H=2 GANG ASSY TYPE EMBSTP PACKAGE			
	30 OVER	± ---	CHECKED BY	DATE	MOLEX INCORPORATED			
	ANGULAR	±1 °	NMATSUURA	2010/01/05				
REV	A	DESCRIPTION	DRAFT WHERE APPLICABLE MUST REMAIN WITHIN DIMENSIONS		MATERIAL NO.	DOCUMENT NO.	SHEET NO.	
					503366-xx11	SD-503366-002	2 OF 2	

9 8 7 6 5 4 3 2 1 EN-02DA(021)