

Excellent Integrated System Limited

Stocking Distributor

Click to view price, real time Inventory, Delivery & Lifecycle Information:

[TE Connectivity AMP Connectors](#)
[650502-2](#)

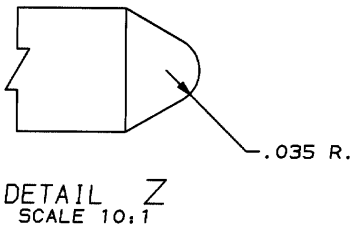
For any questions, you can email us directly:

sales@integrated-circuit.com

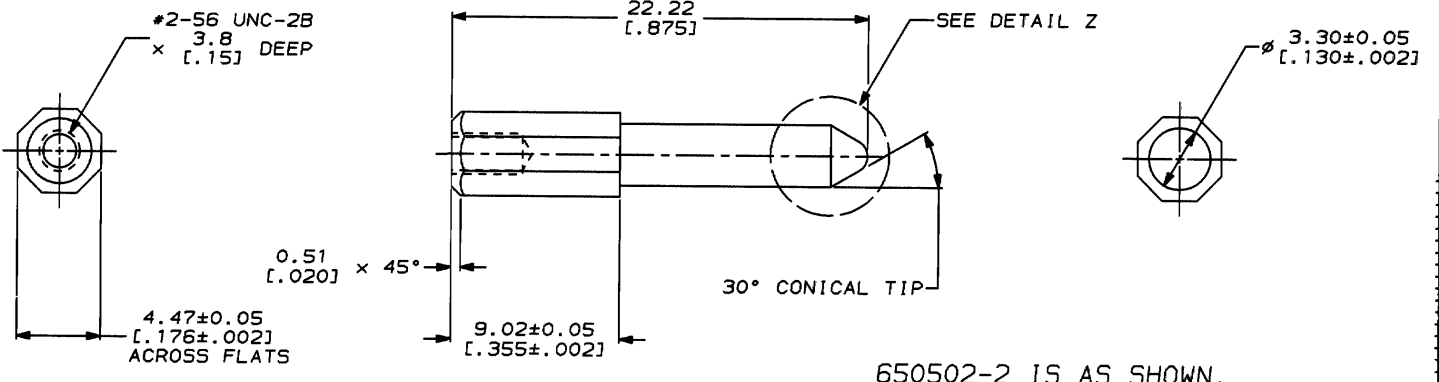
DRAWING MADE IN THIRD ANGLE PROJECTION

THIS DRAWING IS UNPUBLISHED. RELEASED FOR PUBLICATION BY AMP INCORPORATED. ALL INTERNATIONAL RIGHTS RESERVED.

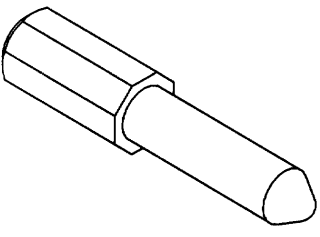
LOC	DIST	P	F	ZONE	LTR	REVISIONS	DATE	APPD
AD	25					A	01/21/91	-
						B	7/26/92	TH
						DESCRIPTION		
						ECN AD		
						REV. PER ECN.AD6617		



- ① MATERIAL: STAINLESS STEEL
- ② FINISH: PASSIVATED



650502-2 IS AS SHOWN.



METRIC

DO NOT SCALE PRINT. UNLESS SPECIFIED DIMENSIONS IN MM (INCHES) TOLERANCES ON: 2 PLC DEC ± 0.13 (.005) ANGLES # -		DR 01/21/91 R.K. SEIFRIED/UTA CHK 9/3/92 J.D. MEARY	PART NO	
MATERIAL	①	APPD 5/3/92 J.D. MEARY	AMP Incorporated Harrisburg, PA 17105-3608	
FINISH	②	PRODUCT SPEC -	NAME TBC PLUS, GUIDE PIN	
		APPLICATION SPEC -	SIZE B	CAGE CODE 00779
		WEIGHT -	SCALE 5:1	DRAWING NO 650502
			SHEET 1 OF 1	