



**Distributor of TE Connectivity AMP Connectors: Excellent Integrated System Limited**  
Datasheet of 745434-8 - D-Sub Connector Plug, Male Pins 9 Position Through Hole, Right  
Angle Solder

Contact us: [sales@integrated-circuit.com](mailto:sales@integrated-circuit.com) Website: [www.integrated-circuit.com](http://www.integrated-circuit.com)

---

## **Excellent Integrated System Limited**

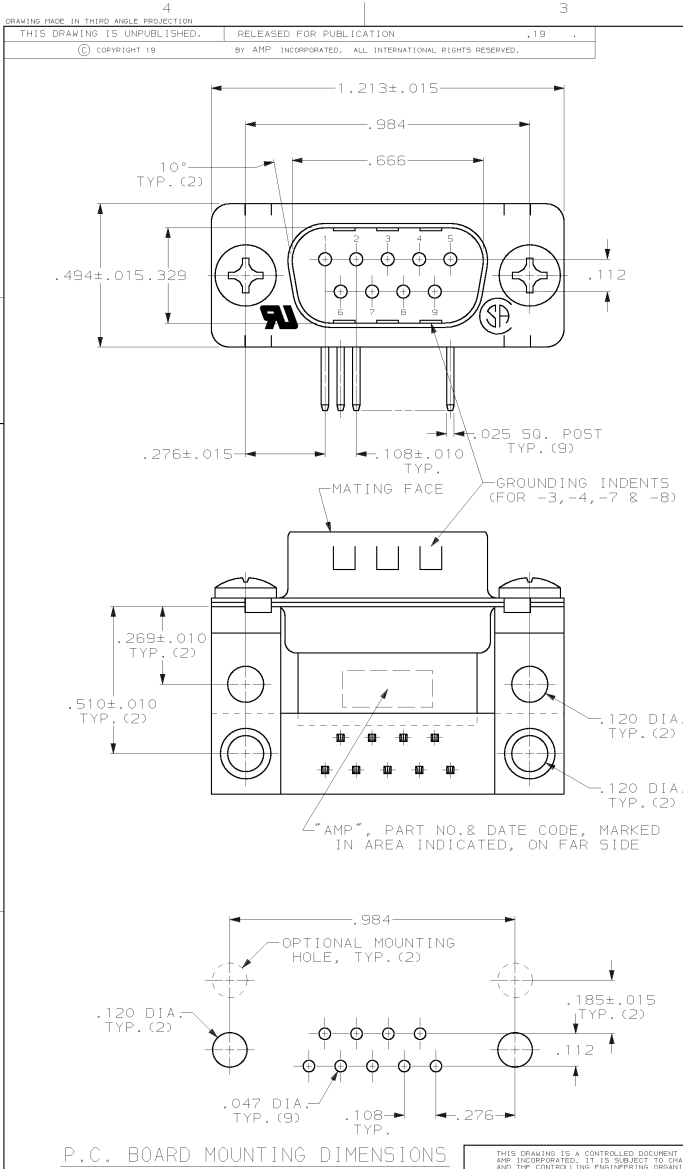
Stocking Distributor

Click to view price, real time Inventory, Delivery & Lifecycle Information:

[TE Connectivity AMP Connectors](#)  
[745434-8](#)

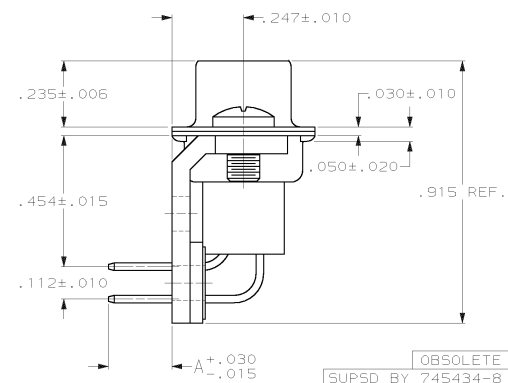
For any questions, you can email us directly:

[sales@integrated-circuit.com](mailto:sales@integrated-circuit.com)



LDC		DST		REV		ZONE		LTP		REVISIONS		DATE	APPD
GP	00	P	P							DESCRIPTION			
				J						SUPSD -6 PER EC 0020-423-95	22 AUG 96	RT	
				K						REV PER EC 0640-429-98	17 FEB 99	RT	
				L						0B5 -7 PER EC 001D-0267-00	05 FEB 01	DK	
				M						REV PER EC 001D-0275-00	03JAN02	JR	

- CONNECTOR MATES WITH ANY 9 POS. RECEPTACLE IN AMPLIMITE SERIES & COMPLIES WITH AMP SPEC. 108-40,005 WHERE APPLICABLE.
- FLAME RETARDANT 94V-0 RATED THERMOPLASTIC; COLOR: BLACK.
- STEEL PER ASTM A109.
- BRASS PER MIL-C-50.
- TIN PLATING PER MIL-T-10727, GOLD PLATING PER MIL-6-45204, NICKEL PLATING PER 00-N-290.
- TIN PLATED.
- GOLD PLATED FOR LENGTH OF .150 MIN FROM MATING END, GOLD FLASH IN MATED AREA, .000100 MIN TIN-LEAD ON OPPOSITE END, BOTH OVER .000050 MIN NICKEL.
- GOLD PLATED FOR LENGTH OF .150 MIN FROM MATING END, .000030 MIN GOLD IN MATED AREA, .000100 MIN TIN-LEAD ON OPPOSITE END, BOTH OVER .000050 MIN NICKEL.



REVISION	DATE	DESCRIPTION	BY	CHKD	APPD
.125		OBSOLETE			
.125		OBSOLETE			
.125		SUPSD BY 745434-8			
.125		SUPSD BY 745434-7			
.220		OBSOLETE			
.220		OBSOLETE			
.220		OBSOLETE			
.220		OBSOLETE			
.220		OBSOLETE			

DO NOT SCALE PRINT. UNLESS SPECIFIED DIMENSIONS IN INCHES	DR 12-29-83 J. GERACE	AMP		AMP Incorporated Harrisburg, PA 17105-3608
TOLERANCES ON: 2 PLC DEC ± .005 ANGLES ± 2°	CHK 12-29-83 J. GERACE	NAME		PLUG ASSEMBLY, SIZE 1, 9 POS., RIGHT ANGLE, .454 SERIES, .025 50. POSTS, AMPLIMITE™ HDP
MATERIAL MOLDED PARTS: △ SHELLS & BRACKETS: △ CONTACTS: △	APPD 3-15-84 P. SWEIGARD	PRODUCT SPEC		
FINISH △ SHELLS & BRACKETS: △ CONTACTS: SEE TABLE	APPD 3-15-84 J. ASSINI	APPLICATION SPEC		
WEIGHT -		SIZE	CAGE CODE	DRAWING NO
		©	00779	©745434
		SCALE	NTS	SHEET 1 OF 1

THIS DRAWING IS A CONTROLLED DOCUMENT FOR AMP INCORPORATED. IT IS SUBJECT TO CHANGE AND THE CONTROLLING ENGINEERING ORGANIZATION SHOULD BE CONTACTED FOR THE LATEST REVISION.