



Distributor of TE Connectivity AMP Connectors: Excellent Integrated System Limited
Datasheet of 747531-2 - D-Sub Connector Plug, Male Pins 15 Position Free Hanging (In-Line)
IDC, Discrete Wire

Contact us: sales@integrated-circuit.com Website: www.integrated-circuit.com

Excellent Integrated System Limited

Stocking Distributor

Click to view price, real time Inventory, Delivery & Lifecycle Information:

[TE Connectivity AMP Connectors](#)
[747531-2](#)

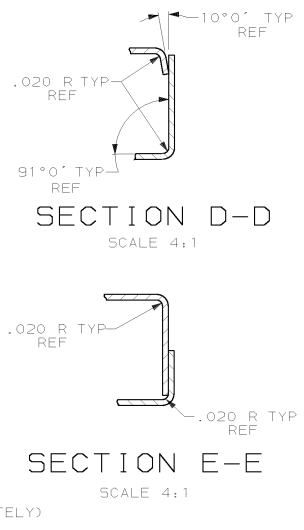
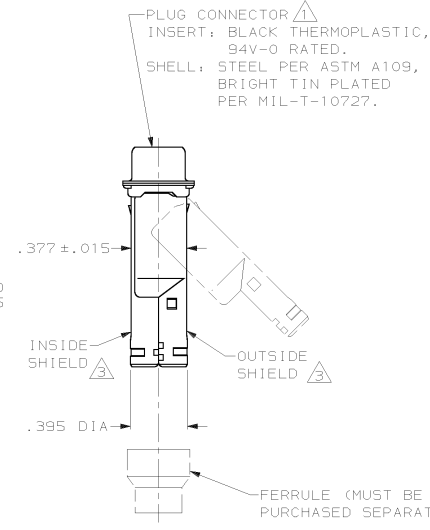
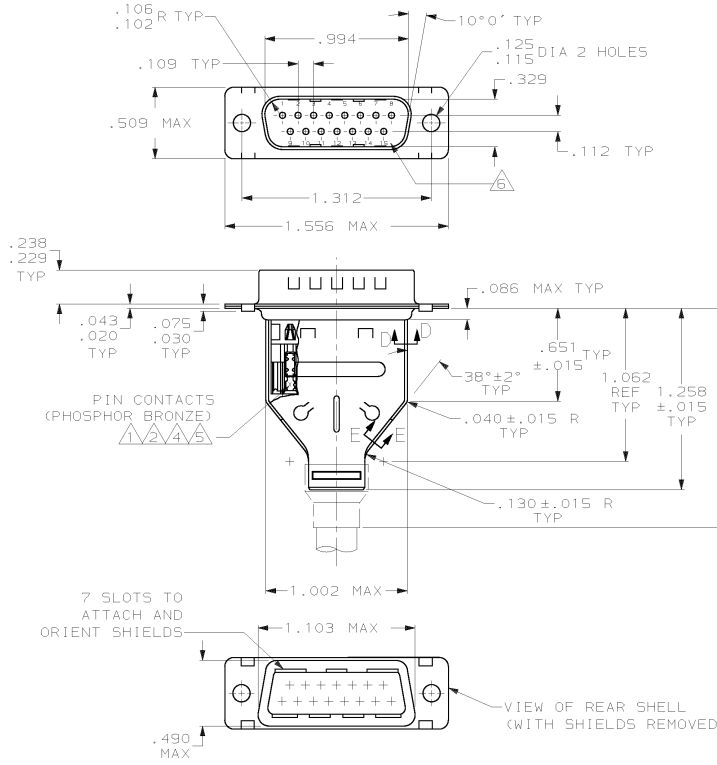
For any questions, you can email us directly:

sales@integrated-circuit.com

DRAWING MADE IN THIRD ANGLE PROJECTION

THIS DRAWING IS UNPUBLISHED. RELEASED FOR PUBLICATION
 BY AMP INCORPORATED. ALL INTERNATIONAL RIGHTS RESERVED.

LOC	QTY	REV	ZONE	LTR	REVISIONS	DATE	APPD
BD	48			A	REDRAWN	5-24-90	-
				B	OBS -3 PER EC 0020-1534-93	04/13/94	PR
				C	OBSOLETED -6	05 FEB 95	CS
				D	OBSOLETED -4	10 JUN 96	CS
				E	REV PER EC 0640-463-98	23 MAR 99	RT



- ⚠️ PLUG CONNECTOR FULLY LOADED WITH CONTACTS. ALL OTHER PARTS SHIPPED UNASSEMBLED (EACH PART INDIVIDUALLY BULK PACKED).
- ⚠️ NUMBER ON CONTACT INDICATES WIRE RANGE.
- ⚠️ SHIELDS: MATERIAL-.020 THICK STEEL, TIN PLATED.
- ⚠️ CONTACTS PLATED GOLD PLATED FOR LENGTH OF .150 MIN FROM MATING END, .000030 MIN GOLD IN MATED AREA. .000100-.000200 BRIGHT TIN OR BRIGHT IN TIN-LEAD IN WIRE TERMINATION AREA. .000050 NICKEL UNDERPLATE ON ENTIRE CONTACT.
- ⚠️ CONTACTS PLATED GOLD PLATED FOR LENGTH OF .150 MIN FROM MATING END, GOLD FLASH IN MATED AREA. .000100-.000200 BRIGHT TIN OR BRIGHT IN TIN-LEAD IN WIRE TERMINATION AREA. .000030 NICKEL UNDERPLATE ON ENTIRE CONTACT.
- ⚠️ RAISED CAVITY IDENTIFICATION AND AMP TRADEMARK.

OBSOLETE	QTY	DESCRIPTION	PART NUMBER
⚠️	3	#20-22	747531-6
⚠️	2	#22-26	747531-5
⚠️	1	#26-30	747531-4
⚠️	3	#20-22	747531-3
⚠️	2	#22-26	747531-2
⚠️	1	#26-30	747531-1
CONTACT FINISH	QTY	WIRE RANGE	PART NUMBER

DO NOT SCALE PRINT. UNLESS SPECIFIED. DIMENSIONS IN INCHES. TOLERANCES ON: 2 PLC DEC ± 3 PLC DEC ± .005 ANGLES ± 0°30'	DR 5-24-90 J.GALLUCCI B6 CHK 8-31-90 J.McCLINTON APPD 8-4-90 B.TAYLOR APPO 8-4-90 J.ASSINI PRODUCT SPEC -	AMP INCORPORATED Harrisburg, Pa. 17105 KIT, PLUG, SHIELDING HARDWARE, SIZE 2, 15 POSN, HDE-20, AMPLIMITE™
MATERIAL SEE CALL OUT FINISH SEE CALL OUT AND NOTES WEIGHT	APPLICATION SPEC -	
SCALE 2:1		SIZE C FSCN NO 00779 DRAWING NO 747531 SHEET 1 OF 1