



**Distributor of TE Connectivity AMP Connectors: Excellent Integrated System Limited**  
Datasheet of 748051-1 - D-Sub Connector Receptacle, Female Sockets 25 Position Free  
Hanging (In-Line) Solder Cup

Contact us: [sales@integrated-circuit.com](mailto:sales@integrated-circuit.com) Website: [www.integrated-circuit.com](http://www.integrated-circuit.com)

---

## **Excellent Integrated System Limited**

Stocking Distributor

Click to view price, real time Inventory, Delivery & Lifecycle Information:

[TE Connectivity AMP Connectors](#)  
[748051-1](#)

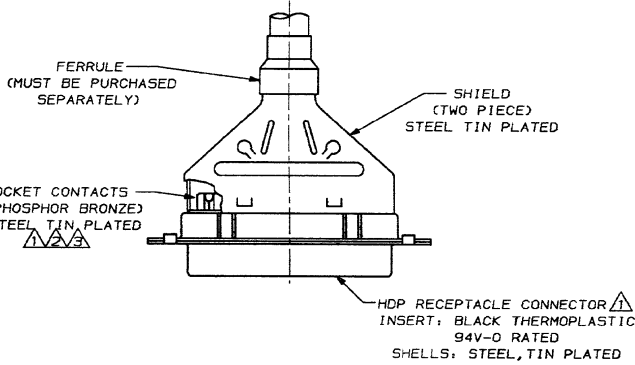
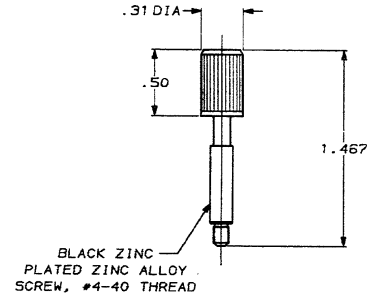
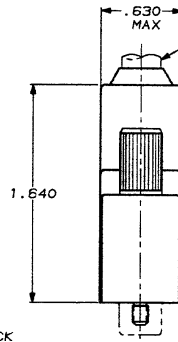
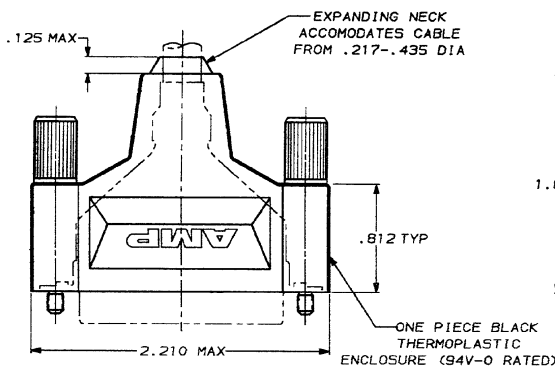
For any questions, you can email us directly:

[sales@integrated-circuit.com](mailto:sales@integrated-circuit.com)

DRAWING MADE IN THIRD ANGLE PROJECTION

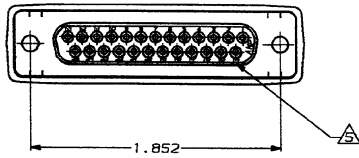
THIS DRAWING IS UNPUBLISHED. RELEASED FOR PUBLICATION .19  
 © COPYRIGHT 19 BY AMP INCORPORATED. ALL INTERNATIONAL RIGHTS RESERVED.

NO	LOC	STRT	REV	ZONE	LYR	DESCRIPTION	DATE	APPR
2	BD	39						
			C			REDRAWN	8/7/90	
			D			REV PER ECN BD4493	12/12/90	
			E			REV PER ECN BD4814	02/08/91	
			F			REVISED PER ECN BD6133	04/02/92	TMS



- ⚠ RECEPTACLE CONNECTOR FULLY LOADED WITH CONTACTS, ALL OTHER PARTS ARE SHIPPED UNASSEMBLED. (EACH PART INDIVIDUALLY BULK PACKED).
- ⚠ SOLDER CUP WILL ACCOMMODATE AWG 20 MAX WIRE.
- ⚠ CONTACTS PLATED WITH GOLD FLASH ON MATING END FOR .150 MIN LENGTH. .000150-.000300 TIN-LEAD PLATE ON SOLDER CUP WITH .000030 NICKEL UNDERPLATE ON ENTIRE CONTACT.
- 4. ALTERNATE FINISH ON CONTACTS AVAILABLE AT CUSTOMER'S REQUEST.
- ⚠ RAISED CAVITY IDENTIFICATION AND AMP TRADEMARK.

CONTACT FINISH	748051-1
PART NUMBER	



DO NOT SCALE PRINT. UNLESS SPECIFIED DIMENSIONS IN INCHES TOLERANCES ON + 1 PLC DEC * - 2 PLC DEC * .020 3 PLC DEC * - ANGLES ± -	DR 6/7/90 A. STAUB 86 CHK 8-31-90 J. MCCLINTON APPR 9-4-90 BOB TAYLOR APPD 9-4-90 J. ASSINI PRODUCT SPEC -	AMP INCORPORATED Harrisburg, Pa. 17105	
SEE CALL OUT	MATERIAL	NAME BULK KIT, RCPT, AMPLIMITE™, SHLDG ENCLOSURE, SOLDER CUP 25 POSN, SIZE 3, HDP-20	
SEE CALL OUT	FINISH	SIZE C 00779	DRAWING NO 748051
	APPLICATION SPEC -	SCALE 2:1	SHEET 1 OF 1
	WEIGHT -		