

Excellent Integrated System Limited

Stocking Distributor

Click to view price, real time Inventory, Delivery & Lifecycle Information:

[TE Connectivity AMP Connectors](#)
[748471-1](#)

For any questions, you can email us directly:

sales@integrated-circuit.com

4

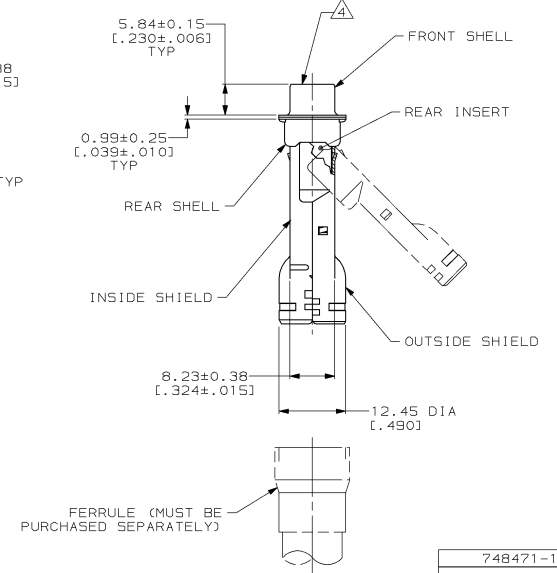
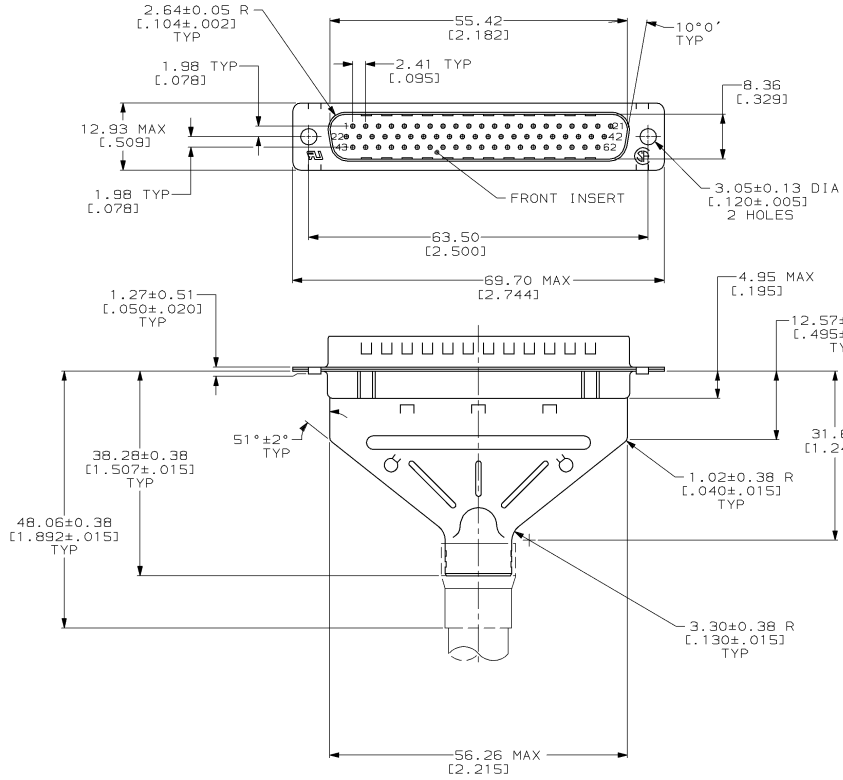
3

2

1

THIS DRAWING IS UNPUBLISHED. RELEASED FOR PUBLICATION BY AMP INCORPORATED. ALL RIGHTS RESERVED. © COPYRIGHT 18

LOC	DIST	REVISIONS			
P	LT/R	DESCRIPTION	DATE	ENR	APPRO
B		REDRAWN W/O CHANGE PER EC 0020-1094-95	02 NOV 95	-	-



- ▲ INSERTS: NYLON, BLACK, UL 94V-0 RATED.
SHELLS & SHIELDS: CARBON STEEL PER ASTM A109.
- ▲ SHELLS & SHIELDS: 5.08µm [0.000200] MIN TIN OVER
2.54µm [0.000100] MIN COPPER.
- ▲ TIN PLATING PER MIL-T-10727.
- ▲ PLUG ACCEPTS SIZE 22 PIN CONTACTS. (CONTACTS MUST BE PURCHASED SEPARATELY).

748471-1
PART NUMBER

<small>THIS DRAWING IS UNPUBLISHED. RELEASED FOR PUBLICATION BY AMP INCORPORATED. ALL RIGHTS RESERVED. © COPYRIGHT 18</small>		DWN D. HARDY 17 NOV 95	02 NOV 95	AMP AMP Incorporated Harrisburg, PA 17105-3608
DIMENSIONS: mm (INCHES)		DES B. STONE 17 NOV 95	08 DEC 95	
DIMENSIONS UNLESS OTHERWISE SPECIFIED: 0 P/LC ± 1 P/LC ±0.13 (1.005) 2 P/LC ± 3 P/LC ± 4 P/LC ± ANGLES FINISH		WPO C. STINGON 08 DEC 95	NAME PLUG KIT, UNASSEMBLED, SHIELDING HARDWARE, SIZE 4, 62 POSN, HDP-22, AMPLIMITE	SIZE A2 CASE CODE 00779 DRAWING NO C=748471
MATERIAL FINISH		APPLICATION SPEC WEIGHT CUSTOMER DRAWING	SCALE 2:1 SHEET 1 OF 1 REV B	