

Excellent Integrated System Limited

Stocking Distributor

Click to view price, real time Inventory, Delivery & Lifecycle Information:

[TE Connectivity AMP Connectors](#)
[748477-1](#)

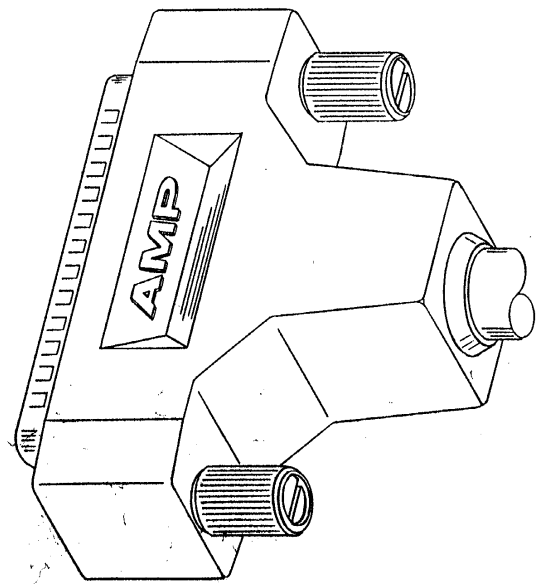
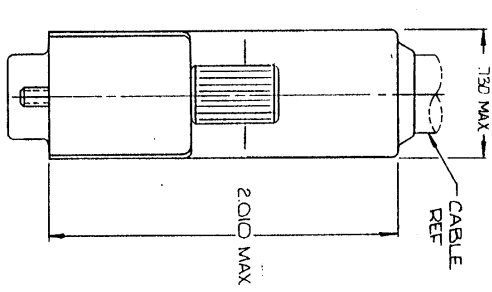
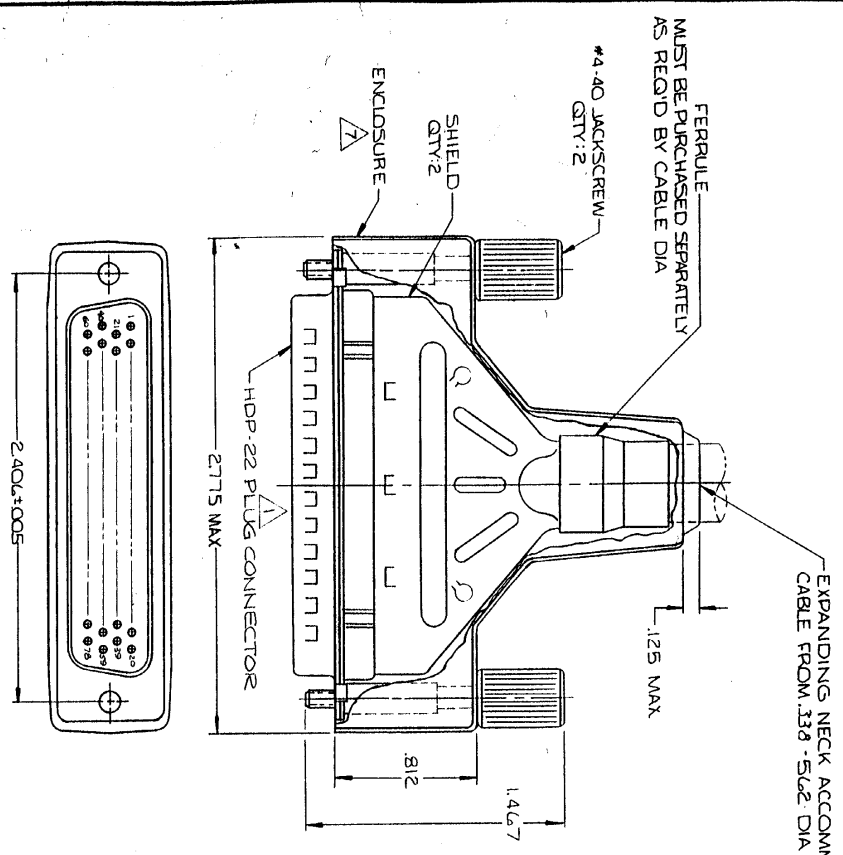
For any questions, you can email us directly:

sales@integrated-circuit.com



DRAWING MADE IN THIRD ANGLE PROJECTION
 THIS DRAWING IS UNPUBLISHED. RELEASED FOR PUBLICATION
 © COPYRIGHT 19 BY AMP INCORPORATED, HARRISBURG, PA. ALL INTERNATIONAL RIGHTS RESERVED. AMP PRODUCTS MAY BE COVERED BY U.S. AND FOREIGN PATENTS AND/OR PATENT PENDING.

REV	DATE	APPROVED	DESCRIPTION
1	1/30/89	RW	RELEASED WAS 86-5520-5
2	2/28/89	BD	REVISED - ECN BD2607
3	9-24-90	BD	REV PER ECN BD2328
4	4-6-92	TM5	REV PER ECN BD 4294
5			REVISED PER ECN BDG133



1. PLUG ACCEPTS SIZE 22 DF PIN CONTACTS, CONTACTS MUST BE PURCHASED SEPARATELY.
2. ALL PARTS SHIPPED UNASSEMBLED, EACH PART INDIVIDUALLY BULK PACKED.
3. FLAME RETARDANT 94V-0 RATED, GLASS-FILLED NYLON, COLOR: BLACK.
4. STEEL PER ASTM A109.
5. TIN PLATING PER MIL-T-10727.
6. ZINC PLATING PER ASTM B693, TYPE II, CLASS SCl, BLACK CHROMATE.
7. FLAME RETARDANT 94V-0 RATED, STYRENE POLYOLEFIN OR PVC, COLOR: BLACK.

UNLESS OTHERWISE SPECIFIED, DIMENSIONS ARE IN INCHES TO DECIMALS ± .020 ANGLES		CONTRACT NO. DR 4-28-97	
MATERIAL: SHIELDS & SHIELDS: ZINC ALLOY JACKSCREWS: ZINC ALLOY		DATE: 4/30/87	
FINISH: SHIELDS & SHIELDS: JACKSCREWS:		APPROVED: [Signature]	
DESIGN APPROVED: [Signature]		OTHER APPROVED:	
NAME: SHIELDING ENCLOSURE KIT, PLUG SIZE 5, 78 POSN, AMPLIMITE HDP-22		PART NO. 748477-1	
SIZE: FSGM NO. 00779 DRAWING NO. 748477		AMP INCORPORATED Harrisburg, Pa. 17105	
SCALE: 2:1		SHEET 1 OF 1	

AMP 14371-4 REV 2-81
 CUSTOMER DRAWING