

## Excellent Integrated System Limited

Stocking Distributor

Click to view price, real time Inventory, Delivery & Lifecycle Information:

[TE Connectivity AMP Connectors](#)  
[749205-1](#)

For any questions, you can email us directly:

[sales@integrated-circuit.com](mailto:sales@integrated-circuit.com)

DRAWING MADE IN THIRD ANGLE PROJECTION

THIS DRAWING IS UNPUBLISHED. RELEASED FOR PUBLICATION

BY AMP INCORPORATED. ALL INTERNATIONAL RIGHTS RESERVED.

19

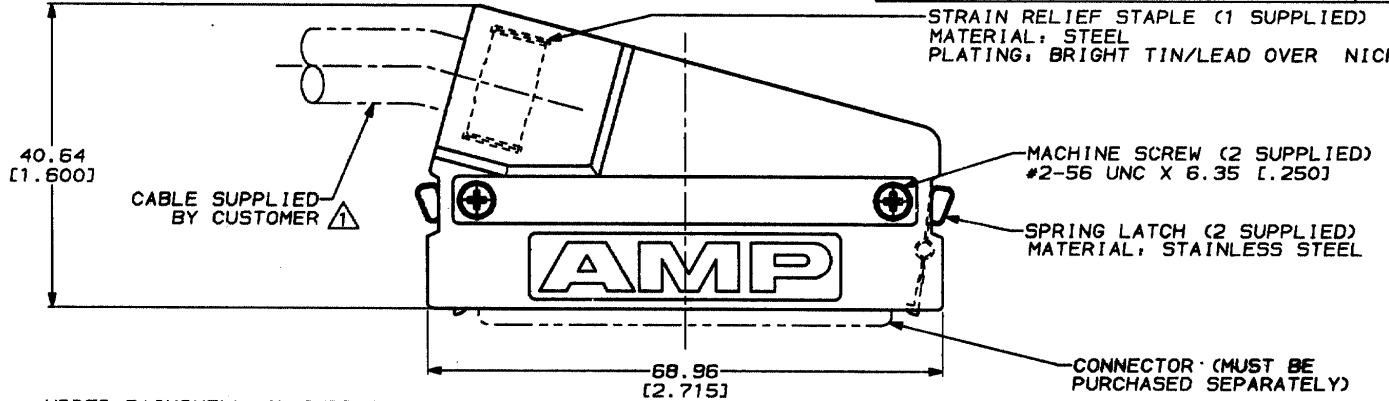
REV. 8 BD 39

2

1

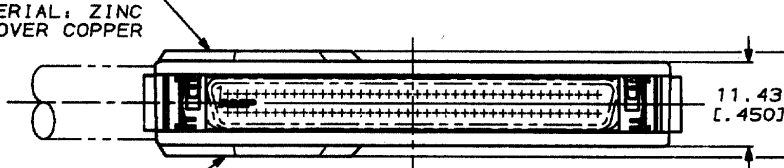
REVOLUTIONS		DATE	APPD
ZONE	LTR	DESCRIPTION	
0		RELEASED PER NPR 2244 WAS 88-5870-44	12/01/88
A		REVISED PER ECN 4221-0453	10/20/88
B		REVISED PER ECN 4221-0586	7-5-90

STRAIN RELIEF STAPLE (1 SUPPLIED)  
 MATERIAL: STEEL  
 PLATING: BRIGHT TIN/LEAD OVER NICKEL



UPPER BACKSHELL (1 SUPPLIED)  
 MATERIAL: ZINC  
 PLATING: NICKEL OVER COPPER

14.35  
 [.565]



LOWER BACKSHELL (1 SUPPLIED)  
 MATERIAL: ZINC  
 PLATING: NICKEL OVER COPPER

10.67 [.420] MAX CABLE DIA



AS SHOWN	749205-1
REMARKS	PART NO
<b>AMP</b> AMP INCORPORATED Harrisburg, Pa. 17105	
NAME INDIVIDUAL KIT, UNASSEMBLED, 80 POSITION, 75° EXIT, UNKEYED, AMPLIMITE .050 Series	
SIZE <b>B</b>	PSCH NO 00779
SCALE 2:1	DRAWING NO 749205
	SHEET 1 OF 1

DO NOT SCALE PRINT. UNLESS SPECIFIED DIMENSIONS IN INCHES TOLERANCES ON: SIZE DEC & - SIZE DEC & 0.38 [.015] ANGLES & -	DR 12/20/88 N.E. SHINE CHK 12/20/88 R.A. BOGARDY APPD 12/20/88 V.J. BOGARDY 12/20/88 G.F. BOGARDY
MATERIAL -	PRODUCT SPEC -
FINISH -	APPLICATION SPEC -
	WEIGHT -