

## Excellent Integrated System Limited

Stocking Distributor

Click to view price, real time Inventory, Delivery & Lifecycle Information:

[TE Connectivity AMP Connectors](#)  
[749206-1](#)

For any questions, you can email us directly:

[sales@integrated-circuit.com](mailto:sales@integrated-circuit.com)

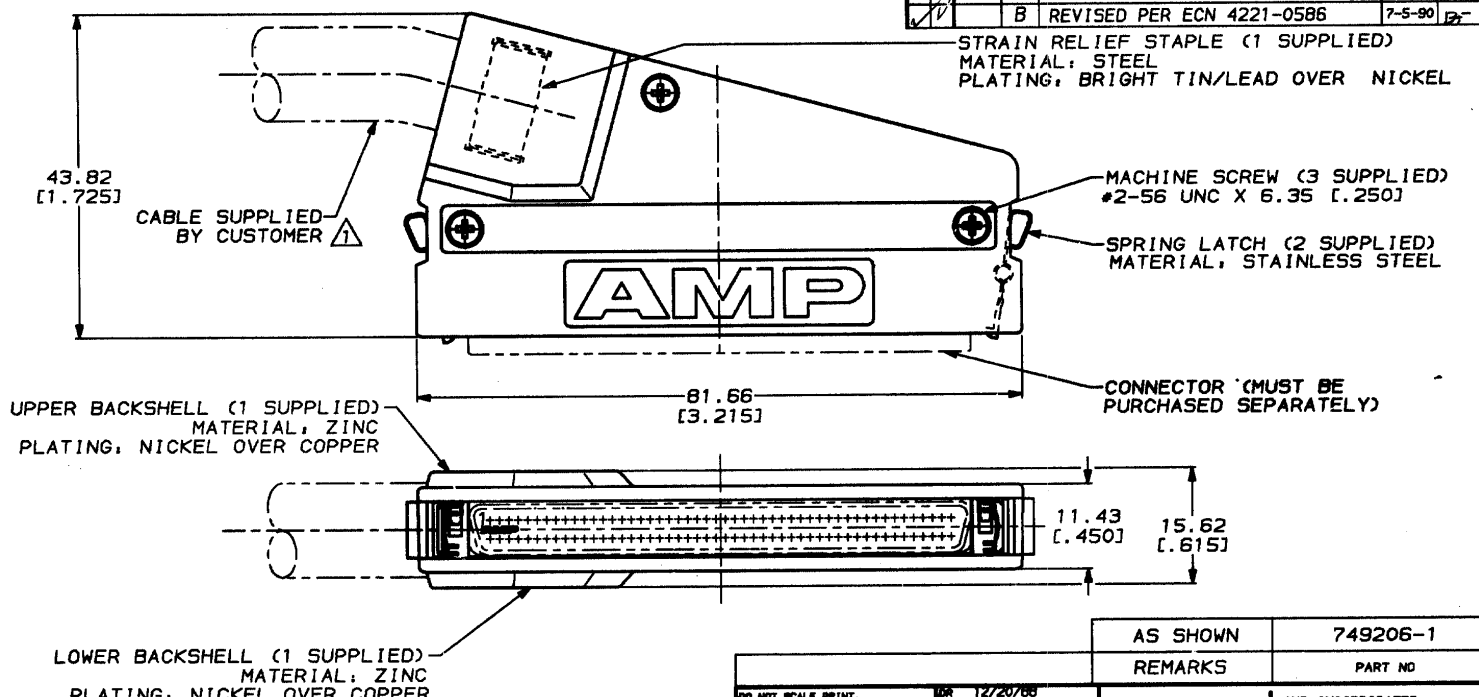
DRAWING MADE IN THIRD ANGLE PROJECTION

THIS DRAWING IS UNPUBLISHED. RELEASED FOR PUBLICATION, 19  
 © COPYRIGHT 19 BY AMP INCORPORATED. ALL INTERNATIONAL RIGHTS RESERVED.

REV. LOG DIST  
 B BD 39

| REVISIONS |     |                                      |          |      |
|-----------|-----|--------------------------------------|----------|------|
| ZONE      | LTR | DESCRIPTION                          | DATE     | APPO |
| 0         |     | RELEASED PER NPR 2244 WAS 88-5870-48 | 12/20/88 | -    |
| A         |     | REVISED PER ECN 4221-0453            | 10/20/88 | MAM  |
| B         |     | REVISED PER ECN 4221-0586            | 7-5-90   | 12   |

D  
C  
B  
A



△ 12.70 [.500] MAX CABLE DIA



|   |   |   |
|---|---|---|
| AS SHOWN  |   | 749206-1  |
| REMARKS   |   | PART NO   |
| DO NOT SCALE PRINT.<br>UNLESS SPECIFIED<br>DIMENSIONS IN INCHES<br>TOLERANCES ON:<br>S. P.L.C. DEC ± 0.38 [0.010]<br>ANGLES ± | DR 12/20/88<br>H.E. BUIK<br>CHK 12/20/88<br>N.A. MCCAFFREY<br>APPD 12/20/88<br>J.L. BRISCHARD<br>APPD 12/20/88<br>C.E. REYNOLDS | <b>AMP</b> AMP INCORPORATED<br>Harrisburg, Pa. 17106<br>NAME<br>INDIVIDUAL KIT, UNASSEMBLED, 100 POSITION,<br>75° EXIT, UNKEYED,<br>AMPLIMITE .050 Series |
| MATERIAL  | PRODUCT SPEC  | SIZE  |
| FINISH  | APPLICATION SPEC  | PSGN NO   |
| WEIGHT  | WEIGHT  | DRAWING NO  |
|   |   | B 00779 749206  |
|   |   | SCALE 2:1 SHEET 1 OF 1  |