



Excellent Integrated System Limited

Stocking Distributor

Click to view price, real time Inventory, Delivery & Lifecycle Information:

[TE Connectivity AMP Connectors](#)
[749765-3](#)

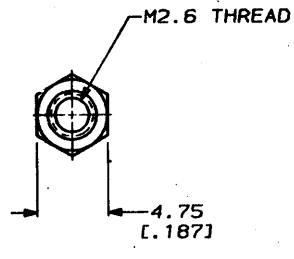
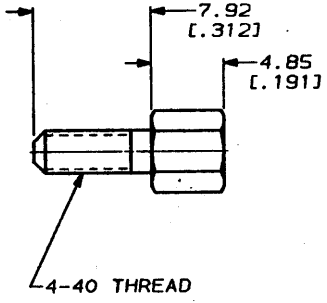
For any questions, you can email us directly:

sales@integrated-circuit.com

DRAWING MADE IN THIRD ANGLE PROJECTION

THIS DRAWING IS UNPUBLISHED. RELEASED FOR PUBLICATION .19
 COPYRIGHT 18 BY AMP INCORPORATED. ALL INTERNATIONAL RIGHTS RESERVED.

REV	LOC	QTY	P	F	ZONE	LTR	DESCRIPTION	DATE	APPD
2	BD	39					0 RLSE PER NPR 2454, WAS 89-5898-11	08/18/88	
							A OBSOLETE -2 PER ECN BD5374	08/12/91	MS



- ⚠ 3.81µm [.000150] MIN ZINC PLATE PER ASTM B633, TYPE II, CLASS SC1, YELLOW CHROMATE.
- ⚠ 3.81µm [.000150] MIN ZINC PLATE PER ASTM B633, TYPE III, CLASS SC1, CLEAR CHROMATE.

OBSOLETE	⚠	749765-3
	⚠	749765-2
FINISH		PART NO

DO NOT SCALE PRINT. UNLESS SPECIFIED DIMENSIONS IN mm (INCHES) TOLERANCES ON: # PLC DEC ± 0.13 (.005) # PLC DEC ± . ANGLES ± 2°		DR 08/18/88 L. BUPE CHK 8-20-88 R. STONE APPD 8-20-88 J. WESTMAN APPD 8-20-88 J. SIMERS PRODUCT SPEC	AMP AMP INCORPORATED Harrisburg, Pa. 17105 NAME SCREWLOCK, M2.6 FEMALE, AMPLIMITE®
MATERIAL CARBON STEEL PER ASTM A109	FINISH SEE TABLE	SIZE B CAGE CODE 00779 SCALE 4:1	DRAWING NO 749765 SHEET 1 OF 1

CUSTOMER DRAWING