



Excellent Integrated System Limited

Stocking Distributor

Click to view price, real time Inventory, Delivery & Lifecycle Information:

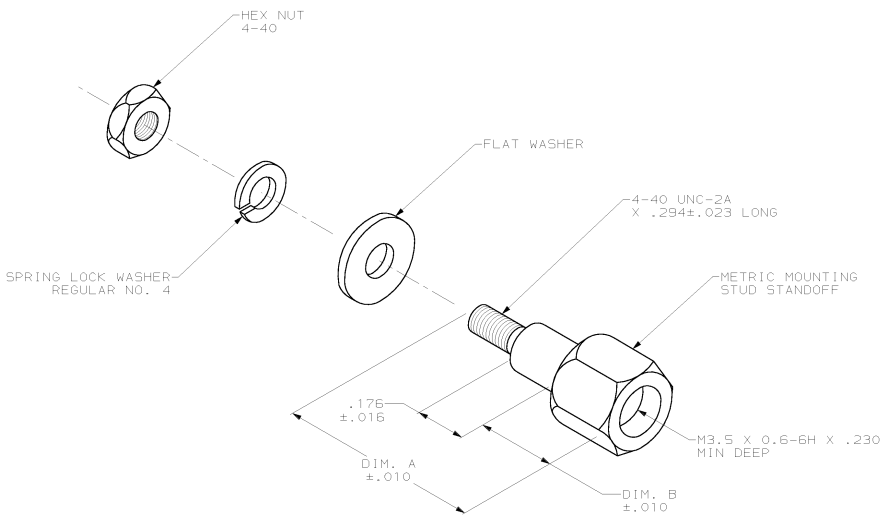
[TE Connectivity AMP Connectors](#)
[553636-3](#)

For any questions, you can email us directly:

sales@integrated-circuit.com

THIS DRAWING IS UNPUBLISHED. RELEASED FOR PUBLICATION BY AMP INCORPORATED. ALL RIGHTS RESERVED.

REV	DATE	DESCRIPTION	DATE	BY	APP'D
J	25NOV02	REVISED PER EC 0515-0411-02	25NOV02	DD	RM



△ MATERIAL: METRIC MOUNTING STUD - BLACK OXIDE COATED CARBON STEEL. WASHER, LOCKWASHER AND HEX NUT - ZINC PLATED STEEL.

2. ALL HARDWARE SHIPPED UNASSEMBLED.

.193	.688	553636-3
.256	.750	553636-2
DIM. B	DIM. A	PART NUMBER

THIS DRAWING IS A CONTROLLED DOCUMENT.		DATE	19-NOV-01	AMP Tyco Electronics Harrisburg, PA 17105-3608
DESIGNED BY	INCHES	DATE	25-NOV-02	
DRAWN BY	UNLESS SPECIFIED OTHERWISE SPECIFIED.	DATE	07-DEC-01	HARDWARE KIT, SHIELDED, CHAMP LATCH
PRODUCT SPEC		APPLICATION SPEC		
MATERIAL		WEIGHT	A200779	RESTRICTED TO
FINISH		CUSTOMER DRAWING	SCALE 4:1	SHEET 1 OF 1