



Distributor of TE Connectivity AMP Connectors: Excellent Integrated System Limited
Datasheet of 745113-2 - D-Sub Connector Receptacle, Female Sockets 15 Position Through
Hole, Right Angle Solder

Contact us: sales@integrated-circuit.com Website: www.integrated-circuit.com

Excellent Integrated System Limited

Stocking Distributor

Click to view price, real time Inventory, Delivery & Lifecycle Information:

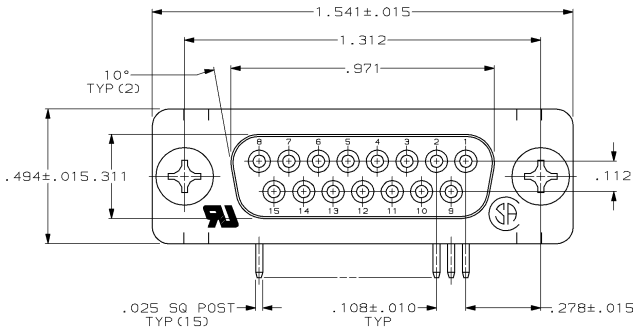
[TE Connectivity AMP Connectors
745113-2](#)

For any questions, you can email us directly:

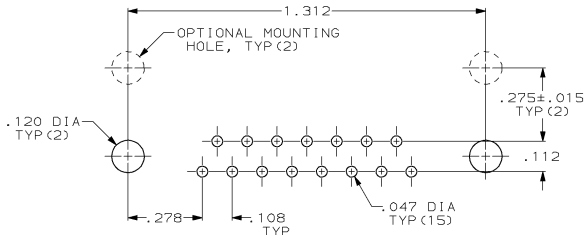
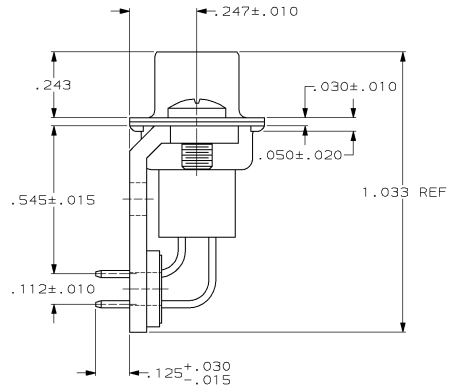
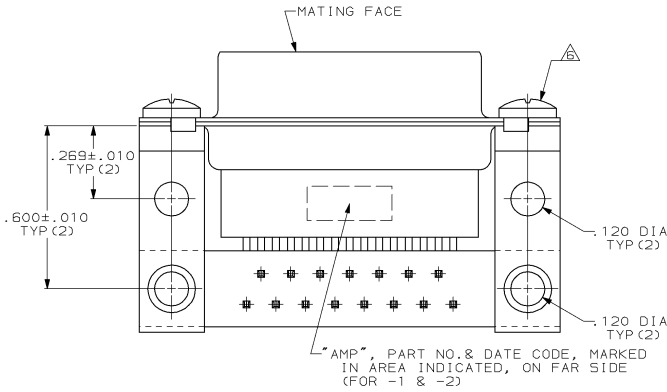
sales@integrated-circuit.com

THIS DRAWING IS UNPUBLISHED.
 RELEASED FOR PUBLICATION BY AMP INCORPORATED. ALL RIGHTS RESERVED.

LOC		REV		REVISIONS		
BD	77	P	LT/R	DESCRIPTION	DATE	OWN
		E		REVISED PER ECN BD3132	9-5-88	-
		F		SUPSD -1 PER ECN 0020-570-96	27 FEB 97	DH RT



- 1. MOLDED PARTS: THERMOPLASTIC, BLACK, 94V-0 RATED. SHELLS & BRACKETS: STEEL PER ASTM A109. CONTACTS: PHOSPHOR BRONZE PER QQ-B-750.
- 2. SHELLS AND BRACKETS: TIN PLATED. CONTACTS: SEE TABLE.
- 3. GOLD FLASH FOR A LENGTH OF .100 MIN FROM MATING END, .000100 MIN TIN-LEAD ON OPPOSITE END, BOTH OVER .000050 MIN NICKEL.
- 4. .000030 MIN GOLD FOR A LENGTH OF .100 MIN FROM MATING END, .000100 MIN TIN-LEAD ON OPPOSITE END, BOTH OVER .000050 MIN NICKEL.
- 5. TIN PLATING PER MIL-T-10727, GOLD PLATING PER MIL-G-45204, NICKEL PLATING PER QQ-N-290.
- 6. SCREWS ARE FOR -1 & -2.
- 7. CONNECTOR MATES WITH ANY 15 POSITION PLUG IN AMPLIMITE SERIES AND COMPLIES WITH AMP 108-40,005 WHERE APPLICABLE.



P.C. BOARD MOUNTING DIMENSIONS

OBSOLETE	745113-3
	745113-2
SUPSD BY 745113-2	745113-1
CONTACT FINISH	PART NUMBER

THIS DRAWING IS A CONTROLLED DOCUMENT.		DATE	12-23-83	AMP Incorporated Harrisburg, PA 17105-3608
DIMENSIONS:	INCHES	BY	J. GERACE	
TOLERANCES UNLESS OTHERWISE SPECIFIED:		DATE	12-23-83	NAME RECEPTACLE ASSY, SIZE 2, 15 POSN, R/A, .545 SERIES, AMPLIMITE™ HDP
Ø	PLC	F	J. ASSINI	
Ø	PLC	F		PRODUCT SPEC
Ø	PLC	F		APPLICATION SPEC
Ø	PLC	F		SIZE
Ø	PLC	F		DATE CODE
Ø	PLC	F		DRAWING NO
Ø	PLC	F		A2 00779 ©=745113
MATERIAL	PLA/ST	ANGLE	90°	WEIGHT
CUSTOMER DRAWING		SCALE	4:1	SHEET 1 OF 1 REV E