

Excellent Integrated System Limited

Stocking Distributor

Click to view price, real time Inventory, Delivery & Lifecycle Information:

[TE Connectivity AMP Connectors](#)
[212045-1](#)

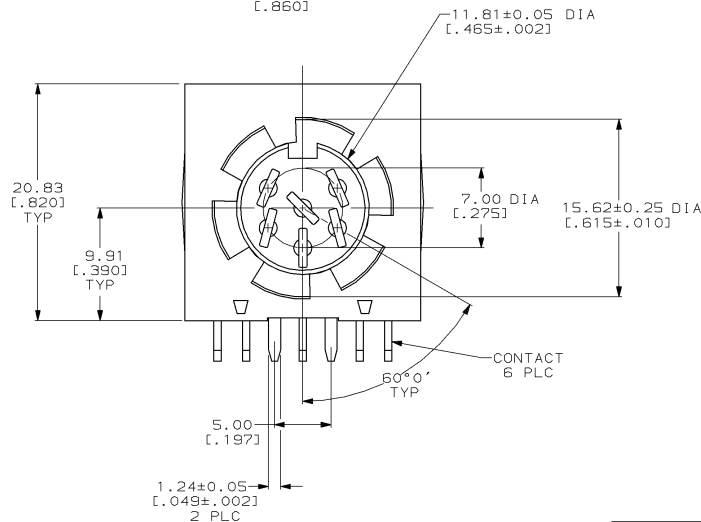
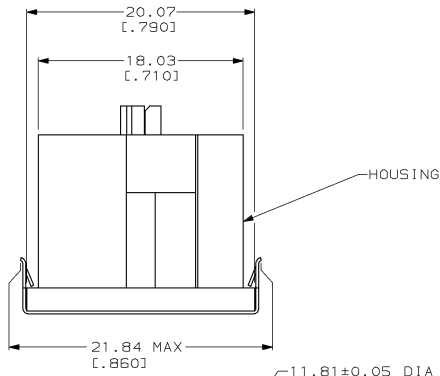
For any questions, you can email us directly:

sales@integrated-circuit.com

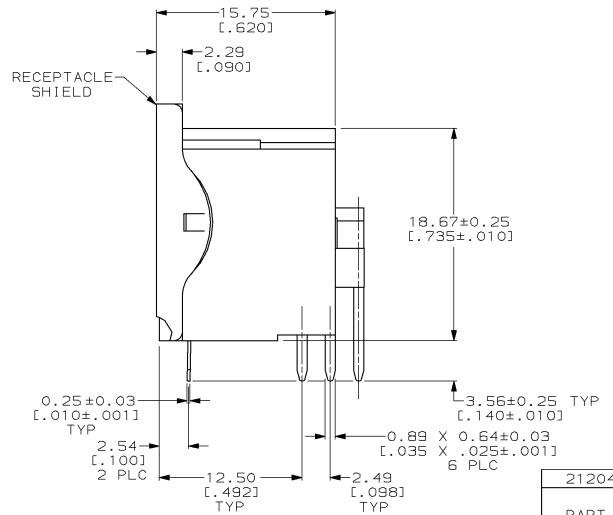
4 DRAWING MADE IN THIRD ANGLE PROJECTION

THIS DRAWING IS UNPUBLISHED. RELEASED FOR PUBLICATION .19
 © COPYRIGHT 19 BY AMP INCORPORATED. ALL INTERNATIONAL RIGHTS RESERVED.

LOC		DIST		REV		REV		REVISIONS		DATE	APPD
BD	20	P	F	ZONE	LTR	DESCRIPTION					
					E	REDRAWN				8/13/91	-
					F	REV PER EC0020-1394-93				12/26/93	SK



- 1 NYLON, UL 94V-0 RATED, BLACK.
- 2 2.54µm [.000100] MIN TIN-LEAD OVER 1.27µm [.000050] MIN NICKEL.
- 3 TIN PLATING PER MIL-T-10727, NICKEL PLATING PER QQ-N-290.
- 4 MATES WITH 6 POSITION, SHIELDED DIN PLUG, P/N 211504.
- 5 BRASS PER ASTM B36.



212045-1
PART NO.

DO NOT SCALE PRINT. UNLESS SPECIFIED DIMENSIONS IN mm [INCHES] TOLERANCES ON + 2 PLC DEC ±0.13(.005) 3 PLC DEC ± ANGLES ± 0°30'	DR 8/13/91 A. STAUB BG CHK 11/22/91 J. MCCLINTON APPD 11/22/91 D. ROKER APPD 11/22/91 C. RÖHDE	AMP Incorporated Harrisburg, PA 17105-3608 NAME RECEPTACLE ASSY, RIGHT ANGLE, SHIELDED, 6 POSITION, CIRCULAR DIN
MATERIAL HOUSING: 1 CONTACTS: 2 RECEPTACLE SHIELD: 3	PRODUCT SPEC 108-10047 APPLICATION SPEC 114-40025 WEIGHT -	
FINISH: CONTACTS: 3 RECEPTACLE SHIELD: 2	SIZE CAGE CODE DRAWING NO C 00779 212045	SCALE 4:1 SHEET 1 OF 1