

Excellent Integrated System Limited

Stocking Distributor

Click to view price, real time Inventory, Delivery & Lifecycle Information:

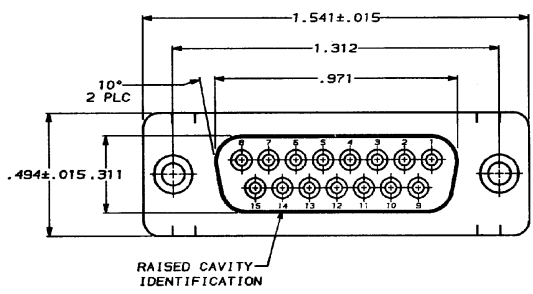
[TE Connectivity AMP Connectors](#)
[745909-1](#)

For any questions, you can email us directly:

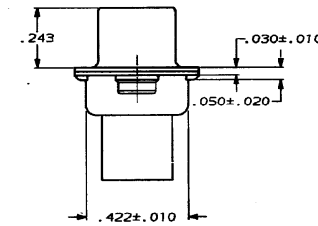
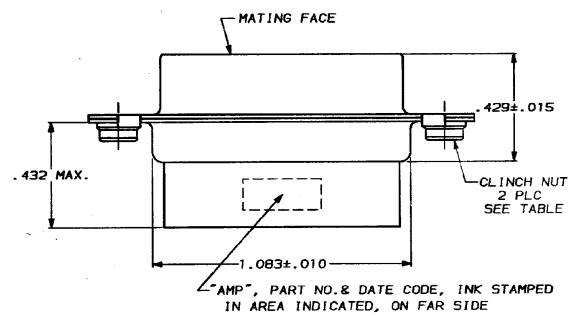
sales@integrated-circuit.com

DRAWINGS MADE IN THIRD ANGLE PROJECTION
 THIS DRAWING IS UNPUBLISHED. RELEASED FOR PUBLICATION
 © COPYRIGHT 1988 BY AMP INCORPORATED. ALL INTERNATIONAL RIGHTS RESERVED.

REV	DATE	BY	DESCRIPTION	DATE	APPD
0			RELEASED		
01			REVISED ECN-0755	10-15-84	SW
A			ADDED -2 PER NPR 3518	8-10-81	MZ
B			SUPERSEDED -2 PER EC 0010-0260-00	19SEP81	JG



- 1. CONNECTOR ACCEPTS SIZE 20 DF SOCKET CONTACTS. RETENTION TINES ARE AN INTEGRAL PART OF INSERT.
- △ FLAME RETARDANT 94V-0 RATED THERMOPLASTIC; COLOR, BLACK.
- △ STEEL PER QQ-S-698.
- △ TIN PLATED PER MIL-T-10727.



SUPERSEDED BY 205205-1	M-3	745909-2
	4-40	745909-1
	CLINCH NUT	PART NO
	THREAD TYPE	

DO NOT SCALE PRINT. UNLESS SPECIFIED DIMENSIONS ARE IN INCHES. TOLERANCES ON: 2 PLC DEC ± .006 ANGLES ± 2°	OR 7-9-82 J. BERACE DWK 7-9-82 J. BERACE APPD 8-3-82 J. FILPONI	AMP Incorporated Harrisburg, PA 17105-3808
MATERIAL MOLDED PARTS: △ SHELLS: △	PRODUCT SPEC 108-40005	NAME RECEPTACLE CONNECTOR, SIZE 2, 15 POSN, WITH CLINCH NUTS, AMPLIMITE HDP
FINISH SHELLS: △	APPLICATION SPEC	SIZE CASE CODE DRAWING NO 00779 745909
WEIGHT	SCALE	SHEET 1 OF 1

14 NOV 1991 09:56:02 AMP24239 450028-DEPT4023-IMP4023-ILL.DWG

CUSTOMER DRAWING