



Distributor of TE Connectivity AMP Connectors: Excellent Integrated System Limited
Datasheet of 749806-1 - D-Sub Connector Receptacle, Female Sockets 9 Position Free
Hanging (In-Line) Crimp

Contact us: sales@integrated-circuit.com Website: www.integrated-circuit.com

Excellent Integrated System Limited

Stocking Distributor

Click to view price, real time Inventory, Delivery & Lifecycle Information:

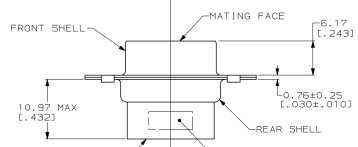
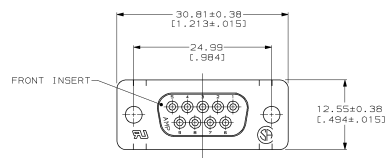
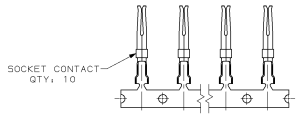
[TE Connectivity AMP Connectors](#)
[749806-1](#)

For any questions, you can email us directly:

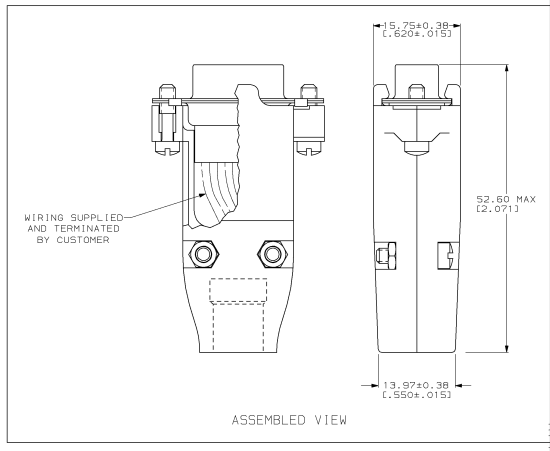
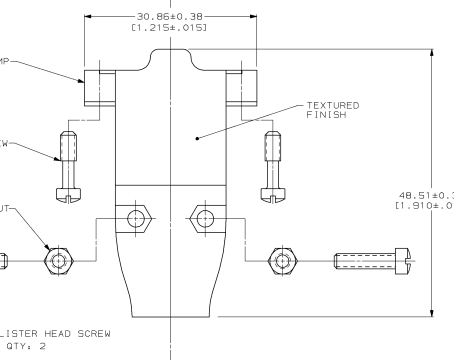
sales@integrated-circuit.com

PRINTING MADE IN THIRD ANGLE PROJECTION
 THIS DRAWING IS UNCONTROLLED. RELEASED FOR PUBLICATION
 © COPYRIGHT 18 BY AMP INCORPORATED. ALL INTERNATIONAL RIGHTS RESERVED.

REV ISIONS		DATE	APPD
0	RELEASED PER NPR 2503	14-09	
A	REV PER EC 0020-117-59	09/09	SE
B	REV PER EC 0020-84-93	04/09	SE
C	REV PER EC 0020-309-95	05/09	JS
D	REV PER EC 0020-881-55	25-09	JS
E	REV PER EC 0040-120-58	01-10	JK



REAR SHELL
 AMP PART NO & DATE CODE, MARKED IN AREA INDICATED, ON FAR SIDE



- CONTACTS ACCEPT 24-20 AWG RANGE.
- NYLON, GLASS FILLED, UL 94V-0 RATED, BLACK.
- PVC, UL 94V-0 RATED, BLACK.
- PHOSPHOR BRONZE.
- CARBON STEEL.
- CABLE CLAMPS, ZINC; SCREWS & NUTS, CARBON STEEL.
- GOLD PLATING PER MIL-G-45204; NICKEL PLATING PER QQ-N-290; TIN PLATING PER MIL-T-10727; COPPER PLATING PER MIL-C-14550; ZINC PLATING PER ASTM B633, TYPE III, CLASS SC1, CLEAR CHROMATE.
- GOLD FLASH FOR A LENGTH OF 2.54(0.100) MIN FROM MATING END, 2.54(0.100) MIN TIN OR TIN-LEAD ON OPPOSITE END FOR A LENGTH OF 4.06 (0.160) MIN FROM END OF INSULATION BARREL, BOTH OVER 0.76(0.030) MIN NICKEL ON ENTIRE CONTACT.
- 5.08(0.200) MIN TIN OVER 1.27(0.050) MIN COPPER.
- MOUNTING SCREWS & NUTS, 3.81(0.150) MIN ZINC; FILISTER HEAD SCREWS, ZINC.

GROMMET FROM ASSORTMENT TO BE DETERMINED BY CABLE DIAMETER

749806-1		PART NO	
DO NOT SCALE PRINT. UNLESS SPECIFIED DIMENSIONS IN MM (INCHES) TOLERANCES ON: S PLG DEC ± 0.13 (0.005) S PLG DEC ±	OR 1-5-99 H. B. LEWIS CHK 2-4-99 S PLG DEC ± 0.13 (0.005) S PLG DEC ±	NAME RECEPTACLE KIT, UNASSEMBLED, SIZE 1, 9 POSITION, METAL SHELL, AMPLIMITE® HDP-20	AMP INCORPORATED MILWAUKEE, WI, USA
MATERIAL: FINISH: Δ CONTACTS: Δ SHELLS: Δ HARDWARE: Δ	APPRO: 6/1-00 7 ASSINI PRODUCT SPEC: 108-40011 APPLICATION SPEC: 114-40003 WEIGHT: -	SCALE: 3:1	DRAWING NO: 749806-1 SHEET: 1 OF 1