



**Distributor of TE Connectivity AMP Connectors: Excellent Integrated System Limited**  
Datasheet of 749805-2 - D-Sub Connector Plug, Male Pins 15 Position Free Hanging (In-Line)  
Crimp

Contact us: [sales@integrated-circuit.com](mailto:sales@integrated-circuit.com) Website: [www.integrated-circuit.com](http://www.integrated-circuit.com)

---

## **Excellent Integrated System Limited**

Stocking Distributor

Click to view price, real time Inventory, Delivery & Lifecycle Information:

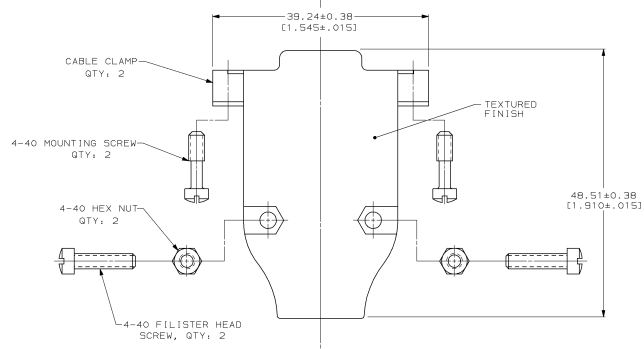
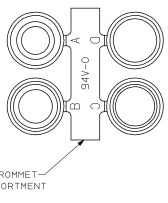
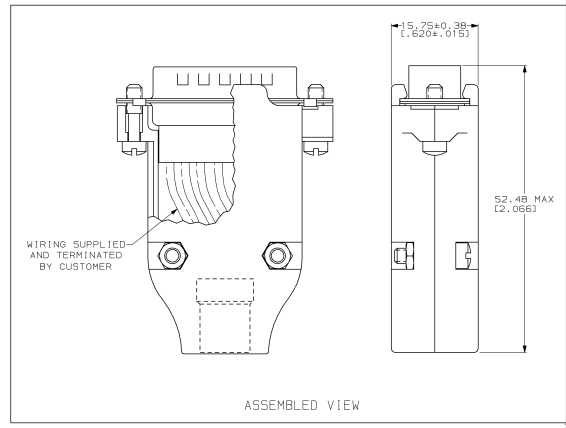
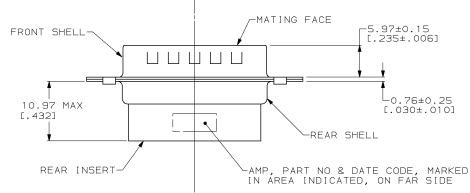
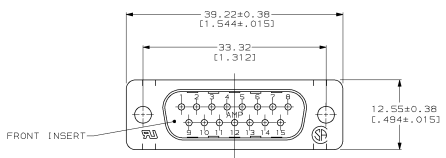
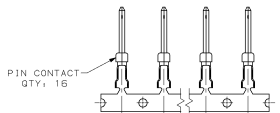
[TE Connectivity AMP Connectors](#)  
[749805-2](#)

For any questions, you can email us directly:

[sales@integrated-circuit.com](mailto:sales@integrated-circuit.com)

PRINTING MADE IN THIRD ANGLE PROJECTION  
 THIS DRAWING IS UNCONTROLLED - RELEASED FOR PUBLICATION  
 © AMP INCORPORATED. ALL INTERNATIONAL RIGHTS RESERVED.

REV	DATE	DESCRIPTION	BY	CHKD
0	11-4-90	RELEASED PER NFR 2503		
A	08/01/92	REV PER EC 0020-117-93		
B	04/01/94	REV PER EC 0020-84-93		
C	06/04/95	REV PER EC 0020-309-95		
D	25-04-98	REV PER EC 0020-881-95		
E	01-04-98	REV PER EC 0040-120-98		



- 1. CONTACTS ACCEPT 24-20 AWG RANGE.
- ▲ NYLON, GLASS FILLED, UL 94V-0 RATED, BLACK.
- ▲ PVC, UL 94V-0 RATED, BLACK.
- ▲ BRASS.
- ▲ CARBON STEEL.
- ▲ CABLE CLAMPS: ZINC; SCREWS & NUTS: CARBON STEEL.
- ▲ GOLD PLATING PER MIL-G-45204; NICKEL PLATING PER QQ-N-290; TIN PLATING PER MIL-T-10727; COPPER PLATING PER MIL-C-14550; ZINC PLATING PER ASTM B633, TYPE III, CLASS S1, CLEAR CHROMATE.
- ▲ GOLD FLASH FOR A LENGTH OF 3.81 (L.150) MIN FROM MATING END, 2.54 (L.000100) MIN TIN OR TIN-LEAD ON OPPOSITE END FOR A LENGTH OF 4.06 (L.160) MIN FROM END OF INSULATION BARREL, BOTH OVER 0.76 (L.00030) MIN NICKEL ON ENTIRE CONTACT.
- ▲ 5.08 (L.000200) MIN TIN OVER 1.27 (L.000050) MIN COPPER.
- ▲ MOUNTING SCREWS & NUTS: 3.81 (L.000150) MIN ZINC; FILISTER HEAD SCREWS; ZINC.

749805-2		PART NO	
DO NOT SCALE PRINT. UNLESS SPECIFIED DIMENSIONS IN MM (INCHES) TOLERANCES ON 3 PLG DEC ± 0.13 (0.005) 5 PLG DEC ± 0.13 (0.005)	OR 1-5-99 H.B. LEWIS	AMP INCORPORATED 1400 N. WILSON ST., PITTSBURGH, PA. 15204	
FINISH: ▲	CONTACTS: ▲		
CONTACTS: ▲	SHELLS: ▲	NAME: PLUG KIT, UNASSEMBLED, SIZE 2, 15 POSITION, METAL SHELL, AMPLIMITE® HDP-20	
APPLICATION SPEC: 114-40003	SCALE: 3:1	DATE CODE: D 00779	DRAWING NO: 749805-2
WEIGHT: -		SHEET: 1 OF 1	