

Excellent Integrated System Limited

Stocking Distributor

Click to view price, real time Inventory, Delivery & Lifecycle Information:

[TE Connectivity AMP Connectors](#)
[750477-1](#)

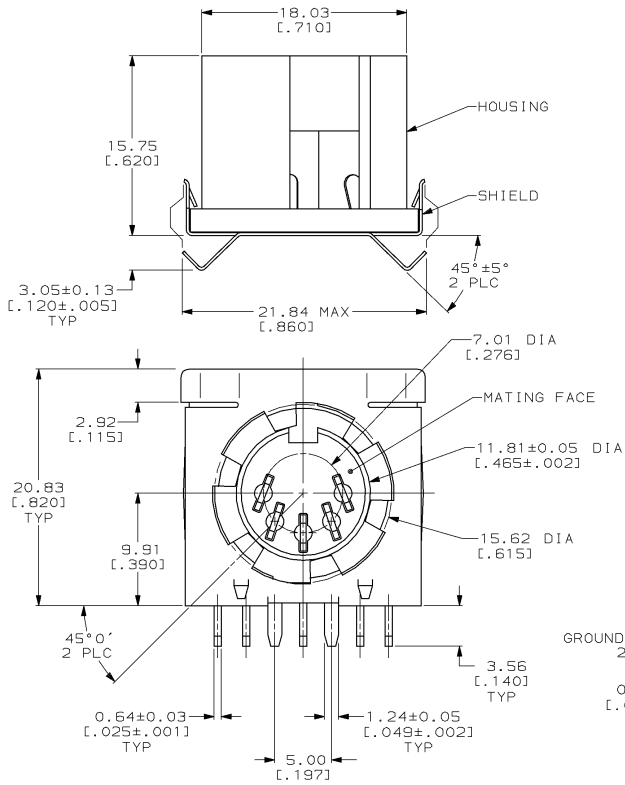
For any questions, you can email us directly:

sales@integrated-circuit.com

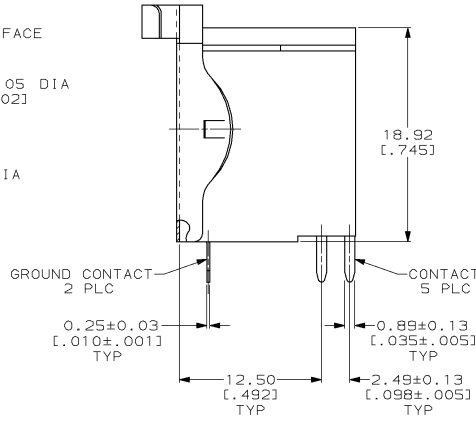
4
DRAWING MADE IN THIRD ANGLE PROJECTION

THIS DRAWING IS UNPUBLISHED. RELEASED FOR PUBLICATION .19
 © COPYRIGHT 19 BY AMP INCORPORATED. ALL INTERNATIONAL RIGHTS RESERVED.

LOC		DIST		P		F		ZONE		LTR		REVISIONS		DATE	APPD
BD		20										DESCRIPTION			
												0	RLSE NPR 3132, WAS 89-4905-3-1	08/24/95	--
												A	REV PER EC0020-1394-93	12/22/93	SK



- ① NYLON, UL 94V-0 RATED, BLACK.
- ② 2.54µm [.000100] MIN TIN-LEAD OVER 1.27µm [.000050] MIN NICKEL.
- ③ 2.54µm [.000100] MIN TIN OVER 1.27µm [.000050] MIN NICKEL.
- ④ RECEPTACLE ASSEMBLY MATES WITH 5 POSN PLUG ASSEMBLY, P/N 212437-3.
- ⑤ MATING FACE CONFORMS TO DIN SPEC 41524.



750477-1

PART NO

DO NOT SCALE PRINT.
 UNLESS SPECIFIED
 DIMENSIONS IN mm [INCHES]
 TOLERANCES ON +
 2 PLC DEC ± 0.25 [.010]
 3 PLC DEC ± .
 ANGLES ± 0°30'

DR 09/24/90
 S. WELDON

CHK 10/02/93
 R. STONE

APPD 10/02/93
 R. WHINE

APPD 10/03/93
 J. FULPONI

PRODUCT SPEC
 108-10047

APPLICATION SPEC
 114-40025

WEIGHT -

AMP AMP Incorporated
 Harrisburg, PA 17105-3608

NAME
 RECEPTACLE ASSEMBLY, 5 POSN,
 RIGHT ANGLE, W/ FRONT PANEL
 GROUNDING FINGERS, CIRCULAR DIN

SIZE CAGE CODE DRAWING NO
 ① 00779 750477

SCALE 4:1 SHEET 1 OF 1

METRIC