



**Distributor of TE Connectivity AMP Connectors: Excellent Integrated System Limited**  
Datasheet of 747468-2 - D-Sub Connector Plug, Male Pins 15 Position Through Hole, Right  
Angle Solder

Contact us: [sales@integrated-circuit.com](mailto:sales@integrated-circuit.com) Website: [www.integrated-circuit.com](http://www.integrated-circuit.com)

---

## **Excellent Integrated System Limited**

Stocking Distributor

Click to view price, real time Inventory, Delivery & Lifecycle Information:

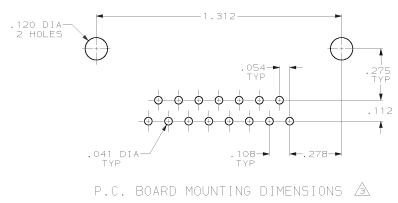
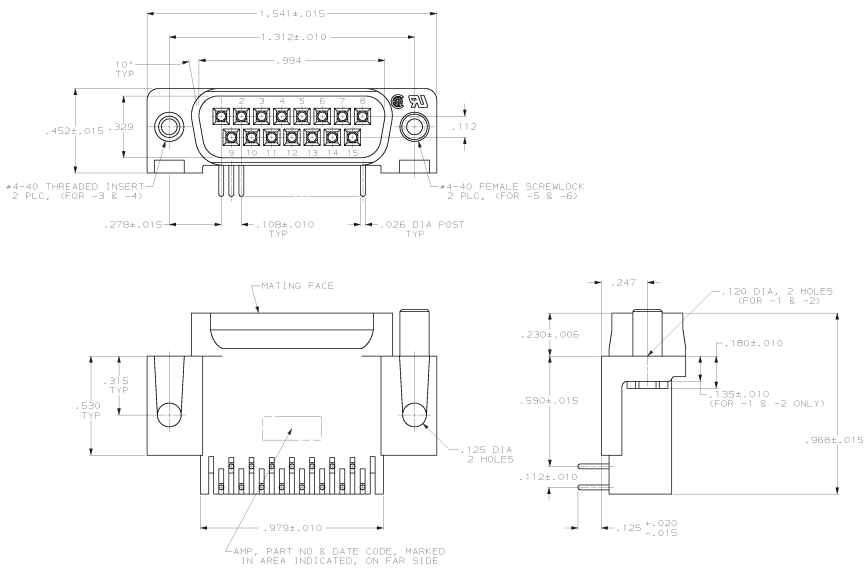
[TE Connectivity AMP Connectors](#)  
[747468-2](#)

For any questions, you can email us directly:

[sales@integrated-circuit.com](mailto:sales@integrated-circuit.com)

DRAWING MADE IN THIRD ANGLE PROJECTION  
 THIS DRAWING IS UNLESS OTHERWISE SPECIFIED FOR PUBLICATION  
 © COPYRIGHT 19 BY AMP INCORPORATED, HARRISBURG, PA. ALL INTERNATIONAL RIGHTS RESERVED. AMP PRODUCTS MAY BE COVERED BY U.S. AND FOREIGN PATENTS AND/OR PATENTS PENDING.

LOC	QTY	SP	00	P	F	ZONE	LTR	DESCRIPTION	DATE	APPR
								D REV PER EC 0020-983-95	16 MAR 95	RT
								E REV PER EC 0040-472-98	11 MAR 98	RT
								F OBS -3 AND REV PER 0010-0126-00	01 MAR 98	RF
								G REV PER EC 0060-0002-01	16 MAR 02	JR



- △ FLAME RETARDANT, 94V-0 RATED, GLASS FILLED, NYLON OR POLYESTER, COLOR: BLACK.
- △ ZINC.
- △ REFER TO APPLICATION SPEC FOR RECOMMENDED P.C. BOARD MOUNTING DIMENSIONS FOR AUTOMATIC INSERTION.
- △ GOLD PLATING PER MIL-C-45204, TIN PLATING PER MIL-T-10727, NICKEL PLATING PER QQ-N-290.
- △ CLEAR CHROMATE.
- △ GOLD PLATED FOR A LENGTH OF .150 MIN FROM MATING END, GOLD FLASH IN MATED AREA, WITH POINT OF MEASUREMENT .075 FROM MATING END OF CONTACT, .000100-.000200 TIN OR TIN-LEAD ON SOLDER END, ALL OVER .000050 NICKEL ON ENTIRE CONTACT.
- △ GOLD PLATED FOR A LENGTH OF .150 MIN FROM MATING END, .000030 MIN GOLD IN MATED AREA, WITH POINT OF MEASUREMENT .075 FROM MATING END OF CONTACT, .000100-.000200 TIN OR TIN-LEAD ON SOLDER END, ALL OVER .000050 NICKEL ON ENTIRE CONTACT.

SUPPLY	BY	DESCRIPTION	REVISION	DATE	PART NUMBER
SUPSD	BY 748952-1	WITH SCREWLOCKS	△	747468-6	
		OBsolete	△	747468-5	
SUPSD	BY 748872-1	WITH INSERTS	△	747468-4	
		OBsolete	△	747468-3	
		WITH .120 DIA HOLE	△	747468-2	
SUPSD	BY 747468-2	WITH .120 DIA HOLE	△	747468-1	

UNLESS OTHERWISE SPECIFIED TOLERANCES ON:	OR 7-20-87 C DIMENSIONS	NAME	FINISH	PART NUMBER
2 PL DEC ±.005 ANGLES ±.2	CR 9-30-97 5 MELON 8 TAYLOR 3 ASSINI	AMP	AMP INCORPORATED Harrisburg, Pa. 17105	
MATERIAL: MOLDED PARTS, CONTACTS: BRASS	PRODUCT SPEC: 108-40005	NAME: PLUG ASSY, SIZE 2, 15 POSN, RIGHT ANGLE, 590 SERIES, .020 DIA POSTS, AMPLIMITE® HD-20		
FINISH: CONTACTS: SEE TABLE	APPLICATION SPEC: 114-40015	SIZE: D	PQCH NO: 00779	DRAWING NO: 747468
MARKING: △	WEIGHT: -	SCALE: 4:1		SHEET 1 of 1