

## **Excellent Integrated System Limited**

Stocking Distributor

Click to view price, real time Inventory, Delivery & Lifecycle Information:

[TE Connectivity AMP Connectors](#)  
[748639-1](#)

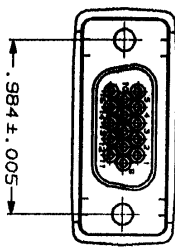
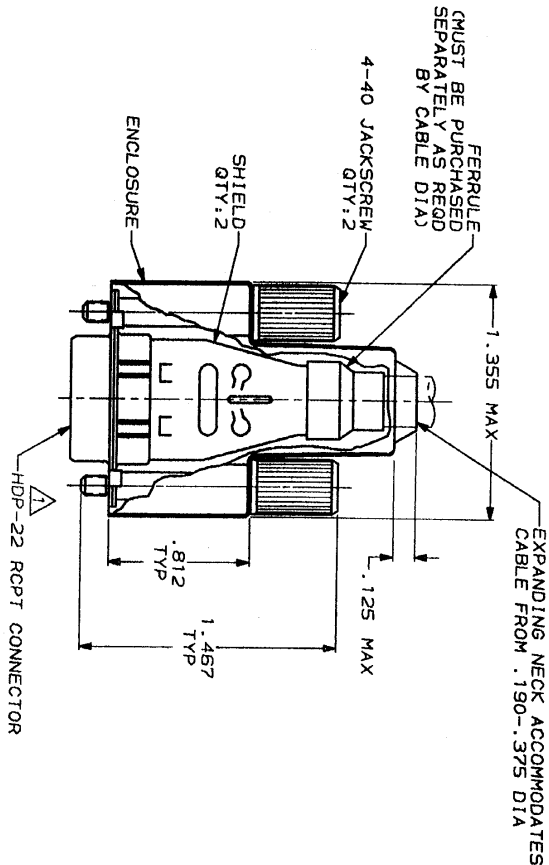
For any questions, you can email us directly:

[sales@integrated-circuit.com](mailto:sales@integrated-circuit.com)



DRAWING MADE IN THIRD ANGLE PROJECTION  
 THIS DRAWING IS UNCLASSIFIED. RELEASED FOR PUBLICATION  
 BY AMP INCORPORATED. ALL INTERNATIONAL RIGHTS RESERVED. © COPYRIGHT 19

REV	DATE	APPROV	DESCRIPTION
2	BD 39		REVISIONS
C			REDRAWN AND REV EGN B05049
D			REVISED PER EGN B06133



1. RECEPTACLE ACCEPTS SIZE 22 DF PIN CONTACTS. CONTACTS MUST BE PURCHASED SEPARATELY.
2. ALL PARTS SHIPPED UNASSEMBLED.
3. FLAME RETARDANT 94V-0 RATED, STYRENE POLYOLEFIN OR PVC, BLACK.
4. FLAME RETARDANT 94V-0 RATED GLASS FILLED, NYLON OR POLYESTER, BLACK.
5. STEEL PER ASTM A109.
6. TIN PLATING PER MIL-T-10727.
7. ZINC PLATING PER ASTM B633, TYPE II, CLASS SCI, BLACK CHROMATE.
8. COMPONENTS INDIVIDUALLY BULK PACKED.

DO NOT SCALE PRINT. UNLESS SPECIFIED DIMENSIONS IN INCHES TOLERANCES ON: 1. P.L.C. DEC ± .020 2. ANGLES ± .020	DR 7-3-81 R. SHAWNEY CHK 8-2-81 R. STONE	NAME
MATERIAL ENCL. ENCL. INSERT, SHIELDS & SHIELDS, JACKSCREWS, ZINC ALL OV FINISH JACKSCREWS.	APPD 8-5-81 T.M. SPANGLER APPD 8-7-81 J. ASTINI PRODUCT SPEC	SHIELDING ENCLOSURE KIT, RCPT, SIZE 1, 15 POSN, HDP-22, AMPLIMITE™
APPLICATION SPEC	SIZE C	PSCH NO 00779
WEIGHT	SCALE 2:1	DRAWING NO 748639

AMP INCORPORATED HARTFORD, CT 06185	748639-1	PART NUMBER
		PACKAGING

66 APR 1992 14:05:15 amp25061 / Amp/Products/Kit/748639/Kit/748639

CUSTOMER DRAWING

748639