

Excellent Integrated System Limited

Stocking Distributor

Click to view price, real time Inventory, Delivery & Lifecycle Information:

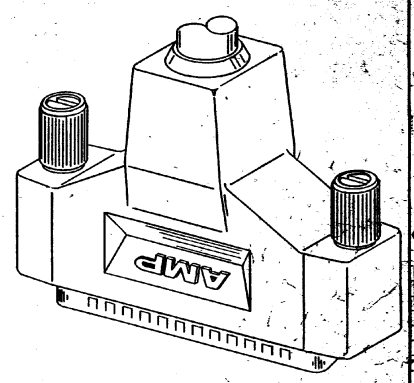
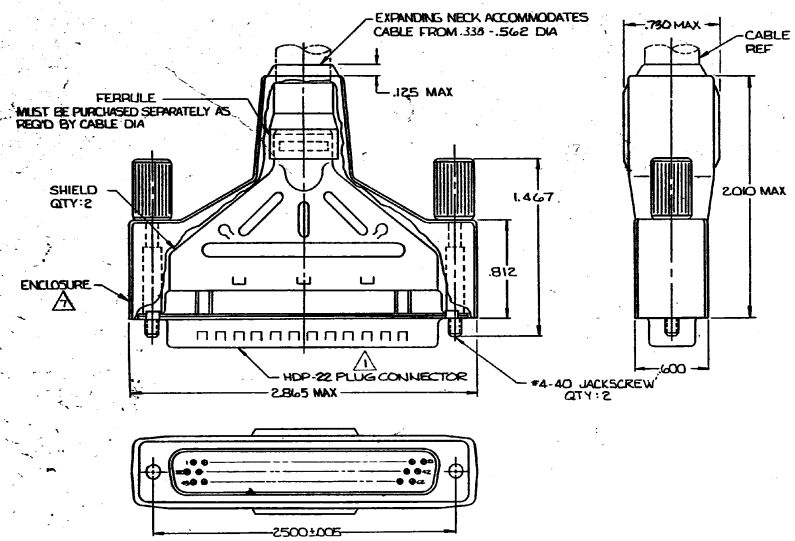
[TE Connectivity AMP Connectors](#)
[748476-1](#)

For any questions, you can email us directly:

sales@integrated-circuit.com

THIS DRAWING IS UNPUBLISHED. RELEASED FOR PUBLICATION 19
 COPYRIGHT IS BY AMP INCORPORATED, HARTFORD, CT. ALL INTERNATIONAL RIGHTS RESERVED. AMP PRODUCTS MAY BE COVERED BY U.S. AND FOREIGN PATENTS AND/OR PATENTS PENDING.

REV	DATE	DESCRIPTION	DATE APPROVED
Q		RELEASED WAS 86-5520-4	
A		REVISED - ECN BD2407	8/30/87
B		REVISED - ECN BD2645	8/20/87
C		REV PER ECN BD2328	8/26/87
D		REV PER ECN BD 445 7	12/1/87
E		REVISED PER ECN BDG135	11/2/87



- ▲ PLUG ACCEPTS SIZE 22 OF PIN CONTACTS, CONTACTS MUST BE PURCHASED SEPARATELY.
- 2. ALL PARTS SHIPPED UNASSEMBLED, EACH PART INDIVIDUALLY BULK PACKED.
- ▲ FLAME RETARDANT 94V-0 RATED, GLASS FILLED, NYLON OR POLYESTER, COLOR: BLACK.
- ▲ STEEL PER ASTM A109.
- ▲ TIN PLATING PER MIL-T-10727.
- ▲ ZINC PLATING PER ASTM B633, TYPE II, CLASS SC1, BLACK CHROMATE.
- ▲ FLAME RETARDANT 94V-0 RATED, STYRENE POLYOLEFIN OR PVC; BLACK.

UNLESS OTHERWISE SPECIFIED DIMENSIONS ARE IN INCHES. TOLERANCES ON: DECIMALS ± .020 ANGLES		CONTRACT NO	AMP AMP INCORPORATED Hartford, Pa. 17105	
MATERIAL INSERT: ▲ SHELLS & SHIELDS: ▲ JACKSCREWS: ZINC ALLOY		DR 5/10/87	PART NO. 748476-1	
FINISH SHELLS & SHIELDS: ▲ JACKSCREWS: ▲		CHK SUBJECT 3/1/87	NAME SHIELDING ENCLOSURE KIT, PLUG, SIZE 4, 62 POSN., AMPLIMITE® HDP-22	
OTHER APPD		APPRO 3/16/87	SIZE C	FRSM NO 00779
		DOCS APPD	DRAWING NO 748476	SCALE 2:1
			SHEET 1 OF 1	

CUSTOMER DRAWING