

Excellent Integrated System Limited

Stocking Distributor

Click to view price, real time Inventory, Delivery & Lifecycle Information:

[TE Connectivity AMP Connectors](#)
[747958-1](#)

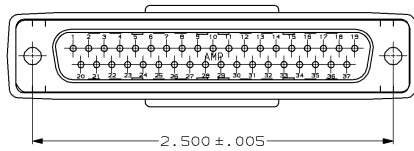
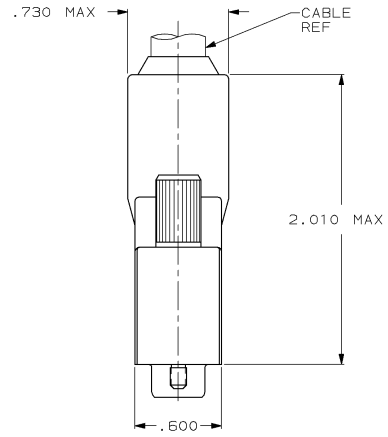
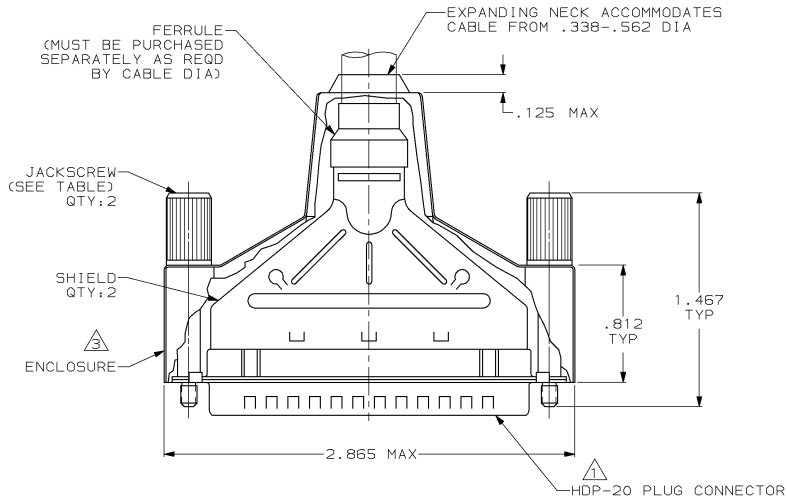
For any questions, you can email us directly:

sales@integrated-circuit.com

DRAWING MADE IN THIRD ANGLE PROJECTION

THIS DRAWING IS UNPUBLISHED. RELEASED FOR PUBLICATION .19
 © COPYRIGHT 19 BY AMP INCORPORATED. ALL INTERNATIONAL RIGHTS RESERVED.

LOC	QTY	P	F	ZONE	LTR	REVISIONS	DATE	APPD
BD	48				H	REVISED PER ECN BD6133	04/02/92	TMS
					J	ADDED -4 PER EC 0020-62-96	31 JAN 96	CS



△ PLUG ACCEPTS SIZE 20 DF PIN CONTACTS. CONTACTS MUST BE PURCHASED SEPARATELY.

2. ALL PARTS SHIPPED UNASSEMBLED.

△ FLAME RETARDANT 94V-0 RATED, STYRENE POLYOLEFIN OR PVC, BLACK.

△ FLAME RETARDANT 94V-0 RATED GLASS FILLED, NYLON OR POLYESTER, BLACK.

△ STEEL PER ASTM A109.

△ TIN PLATING PER MIL-T-10727.

△ ZINC PLATING PER ASTM B633, TYPE II, CLASS SC1, BLACK CHROMATE.

△ COMPONENTS INDIVIDUALLY BULK PACKED.

△ INDIVIDUAL KIT PACKAGING OF COMPONENTS.

PACKAGING	JACKSCREW THREADS	REMARKS	PART NUMBER
△	M3	W/LOGO	747958-4
OBSOLETE	-	W/LOGO	747958-3
OBSOLETE	-	W/OUT LOGO	747958-2
△	4-40	W/LOGO	747958-1

DO NOT SCALE PRINT. UNLESS SPECIFIED DIMENSIONS IN INCHES TOLERANCES ON : 2 PLC DEC ± .020 ANGLES ± -	DR 6-5-90 J GALLUCCI B6 CHK 8-31-90 J. McCLINTON APPD 9-4-90 BOB TAYLOR APPD 9-4-90 J. ASSINI PRODUCT SPEC -	AMP INCORPORATED Harrisburg, Pa. 17105	
MATERIAL INSERT: △ SHELLS & SHIELDS: △ JACKSCREWS: ZINC ALLOY	FINISH SHELLS & SHIELDS: △ JACKSCREWS: △	NAME	BULK KIT, PLUG, AMPLIMITE™, SHIELDING ENCLOSURE, 37 POSN, SIZE 4, HDP-20
APPLICATION SPEC -	SIZE C	FSCM NO 00779	DRAWING NO 747958
WEIGHT -	SCALE 2:1	SHEET 1 OF 1	