

Excellent Integrated System Limited

Stocking Distributor

Click to view price, real time Inventory, Delivery & Lifecycle Information:

[TE Connectivity AMP Connectors](#)
[229996-2](#)

For any questions, you can email us directly:

sales@integrated-circuit.com

4

3

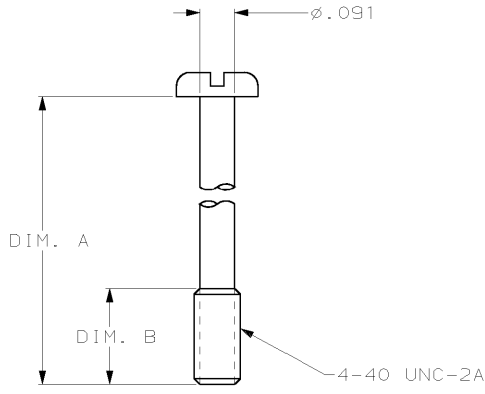
2

1

THIS DRAWING IS UNPUBLISHED. RELEASED FOR PUBLICATION .19
 © COPYRIGHT 19 BY AMP INCORPORATED. ALL RIGHTS RESERVED.

LOC	DIST	REVISIONS			
P	LTR	DESCRIPTION	DATE	OWN	APVD
AA	20	H	REVISED; EC 0UF0-0046-01	11MAY01	DLD/EWB

- 1. MATERIAL: ZINC PLATED STEEL.
- 2. ALL DIMENSIONS SHOWN ARE FOR REFERENCE ONLY UNLESS OTHERWISE SPECIFIED.



.100	.265	229996-4
.100	.350	229996-3
.100	.425	229996-2
DIM. B	DIM. A	PART NUMBER

THIS DRAWING IS A CONTROLLED DOCUMENT.		OWN A. HOLT 01JUN78	AMP Incorporated Harrisburg, PA 17105-3608	
DIMENSIONS: INCHES		DRK R.E. REICH 01JUN78	AMP	
TOLERANCES UNLESS OTHERWISE SPECIFIED:		APVD S. HEGE 02JUN78	NAME SCREW, PAN HEAD, CAPTIVE	
0 PLC ± 1 PLC ± 2 PLC ± 3 PLC ± 4 PLC ± ANGLES ±	± ± ± ± ±	PRODUCT SPEC	SIZE CASE CODE DRAWING NO A3 00779 C- 229996	
MATERIAL	FINISH	WEIGHT	CUSTOMER DRAWING	RESTRICTED TO
△	-	-	SCALE 4:1	SHEET 1 OF 1 REV H