



Excellent Integrated System Limited

Stocking Distributor

Click to view price, real time Inventory, Delivery & Lifecycle Information:

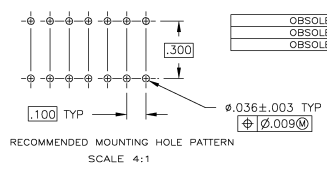
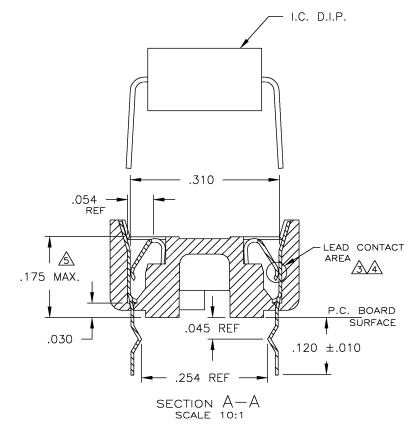
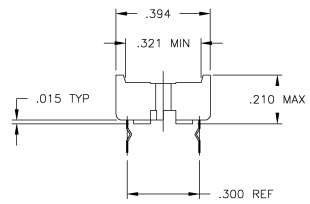
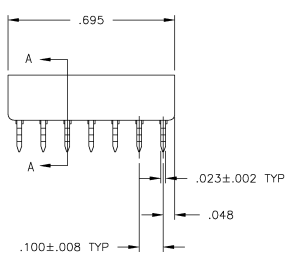
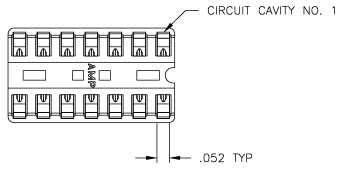
[TE Connectivity AMP Connectors](#)
[2-641261-1](#)

For any questions, you can email us directly:

sales@integrated-circuit.com

REV	DATE	DESCRIPTION	BY	CHK	APP
R	REV PER 003C-0182-99		17NOV90	RB	HW

1. RECEPTACLE ACCEPTS A .008-.014 THICK I.C. LEAD.
2. TUBE LOADED.
- △ TWO .000030 MIN THK. GOLD STRIPES IN CONTACT AREA WITH TIN-LEAD (93/7) ON CONTACT LEGS, BALANCE OF CONTACT NICKEL PLATED.
- △ TWO .000015 MIN THK. GOLD STRIPES IN CONTACT AREA WITH TIN-LEAD (93/7) ON CONTACT LEGS, BALANCE OF CONTACT NICKEL PLATED.
- △ MAXIMUM DIMENSION FOR I.C. SEATING PLANE.



OBSOLETE	△	PHOS.BHZ. .008 THK	GLASS-FILLED THERMOPLASTIC, 94V-0, BLACK	2-641261-4
OBSOLETE	TINNED	PHOS.BHZ. .008 THK	GLASS-FILLED THERMOPLASTIC, 94V-0, BLACK	2-641261-3
OBSOLETE	△	PHOS.BHZ. .008 THK	GLASS-FILLED THERMOPLASTIC, 94V-0, BLACK	2-641261-2
OBSOLETE	TINNED	PHOS.BHZ. .008 THK	GLASS-FILLED THERMOPLASTIC, 94V-0, BLACK	2-641261-1
CONTACT FINISH		CONTACT MAT'L	HOUSING MATERIAL	PART NO.

THIS DRAWING IS A CONTROLLED DOCUMENT				REV. CONTROL	DATE	BY	CHK	APP
DESIGNED	DESIGNED	DESIGNED	DESIGNED	REV. CONTROL	DATE	BY	CHK	APP
1	1	1	1	1	1	1	1	1
108-1066	114-1049	114-1049	114-1049	114-1049	114-1049	114-1049	114-1049	114-1049
SEE TABLE	SEE TABLE	SEE TABLE	SEE TABLE	SEE TABLE	SEE TABLE	SEE TABLE	SEE TABLE	SEE TABLE

AMP		Type Electronics Corporation	
Harrisburg, PA 17105		Harrisburg, PA 17105	
SOCKET ASSY, DIP, RET LEG, 14 POS, DIPLOMATE DL		SOCKET ASSY, DIP, RET LEG, 14 POS, DIPLOMATE DL	
SEE	DATE	DATE	DATE
A1	00779	0641261	
CUSTOMER DRAWING	REV. S-1	REV. 1	REV. R