



## Excellent Integrated System Limited

Stocking Distributor

Click to view price, real time Inventory, Delivery & Lifecycle Information:

[TE Connectivity AMP Connectors](#)  
[2-641260-1](#)

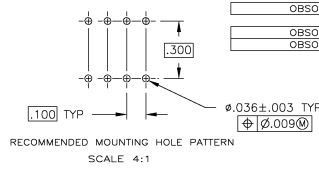
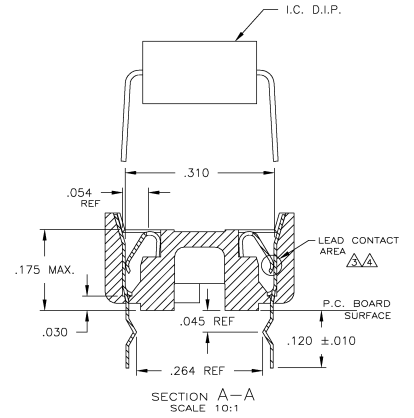
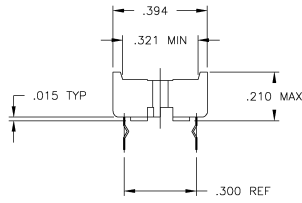
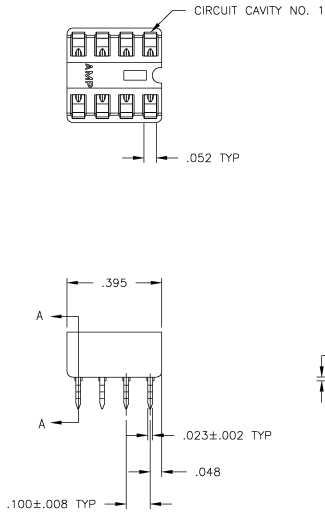
For any questions, you can email us directly:

[sales@integrated-circuit.com](mailto:sales@integrated-circuit.com)

THE DRAWING IS UNPUBLISHED. RELEASE FOR PUBLICATION BY THE ELECTRONICS CORPORATION. ALL RIGHTS RESERVED.

REV	DATE	DESCRIPTION	BY	CHK	APP
1	T	REV PER 003C-0182-99	17NOV90	RB	HW

- RECEPTACLE ACCEPTS A .008-.014 THICK I.C. LEAD.
- TUBE LOADED.
- TWO .000030 MIN THK. GOLD STRIPES IN CONTACT AREA WITH TIN-LEAD (93/7) ON CONTACT LEGS, BALANCE OF CONTACT NICKEL PLATED.
- TWO .000015 MIN THK. GOLD STRIPES IN CONTACT AREA WITH TIN-LEAD (93/7) ON CONTACT LEGS, BALANCE OF CONTACT NICKEL PLATED.



CONTACT FINISH	CONTACT MAT'L	HOUSING MATERIAL	PART NO.
TINNED	PHOS.BRZ. .008 THK	GLASS-FILLED THERMOPLASTIC, 94V-O, BLACK	2-641260-5
TINNED	PHOS.BRZ. .008 THK	GLASS-FILLED THERMOPLASTIC, 94V-O, BLACK	2-641260-4
TINNED	PHOS.BRZ. .008 THK	GLASS-FILLED THERMOPLASTIC, 94V-O, BLACK	2-641260-3
TINNED	PHOS.BRZ. .008 THK	GLASS-FILLED THERMOPLASTIC, 94V-O, BLACK	2-641260-2
TINNED	PHOS.BRZ. .008 THK	GLASS-FILLED THERMOPLASTIC, 94V-O, BLACK	2-641260-1

THIS DRAWING IS A CONTROLLED DOCUMENT		REV. CONTROL	DATE	BY	CHK	APP	DATE	BY	CHK	APP
ISSUED	DATE	BY	CHK	APP	DATE	BY	CHK	APP	DATE	BY
REV. 1	108-1066	108-1066	108-1066	108-1066	108-1066	108-1066	108-1066	108-1066	108-1066	108-1066
REV. 2	114-1049	114-1049	114-1049	114-1049	114-1049	114-1049	114-1049	114-1049	114-1049	114-1049
REV. 3	114-1049	114-1049	114-1049	114-1049	114-1049	114-1049	114-1049	114-1049	114-1049	114-1049
REV. 4	114-1049	114-1049	114-1049	114-1049	114-1049	114-1049	114-1049	114-1049	114-1049	114-1049
REV. 5	114-1049	114-1049	114-1049	114-1049	114-1049	114-1049	114-1049	114-1049	114-1049	114-1049
REV. 6	114-1049	114-1049	114-1049	114-1049	114-1049	114-1049	114-1049	114-1049	114-1049	114-1049
REV. 7	114-1049	114-1049	114-1049	114-1049	114-1049	114-1049	114-1049	114-1049	114-1049	114-1049
REV. 8	114-1049	114-1049	114-1049	114-1049	114-1049	114-1049	114-1049	114-1049	114-1049	114-1049
REV. 9	114-1049	114-1049	114-1049	114-1049	114-1049	114-1049	114-1049	114-1049	114-1049	114-1049
REV. 10	114-1049	114-1049	114-1049	114-1049	114-1049	114-1049	114-1049	114-1049	114-1049	114-1049
REV. 11	114-1049	114-1049	114-1049	114-1049	114-1049	114-1049	114-1049	114-1049	114-1049	114-1049
REV. 12	114-1049	114-1049	114-1049	114-1049	114-1049	114-1049	114-1049	114-1049	114-1049	114-1049
REV. 13	114-1049	114-1049	114-1049	114-1049	114-1049	114-1049	114-1049	114-1049	114-1049	114-1049
REV. 14	114-1049	114-1049	114-1049	114-1049	114-1049	114-1049	114-1049	114-1049	114-1049	114-1049
REV. 15	114-1049	114-1049	114-1049	114-1049	114-1049	114-1049	114-1049	114-1049	114-1049	114-1049
REV. 16	114-1049	114-1049	114-1049	114-1049	114-1049	114-1049	114-1049	114-1049	114-1049	114-1049
REV. 17	114-1049	114-1049	114-1049	114-1049	114-1049	114-1049	114-1049	114-1049	114-1049	114-1049
REV. 18	114-1049	114-1049	114-1049	114-1049	114-1049	114-1049	114-1049	114-1049	114-1049	114-1049
REV. 19	114-1049	114-1049	114-1049	114-1049	114-1049	114-1049	114-1049	114-1049	114-1049	114-1049
REV. 20	114-1049	114-1049	114-1049	114-1049	114-1049	114-1049	114-1049	114-1049	114-1049	114-1049
REV. 21	114-1049	114-1049	114-1049	114-1049	114-1049	114-1049	114-1049	114-1049	114-1049	114-1049
REV. 22	114-1049	114-1049	114-1049	114-1049	114-1049	114-1049	114-1049	114-1049	114-1049	114-1049
REV. 23	114-1049	114-1049	114-1049	114-1049	114-1049	114-1049	114-1049	114-1049	114-1049	114-1049
REV. 24	114-1049	114-1049	114-1049	114-1049	114-1049	114-1049	114-1049	114-1049	114-1049	114-1049
REV. 25	114-1049	114-1049	114-1049	114-1049	114-1049	114-1049	114-1049	114-1049	114-1049	114-1049
REV. 26	114-1049	114-1049	114-1049	114-1049	114-1049	114-1049	114-1049	114-1049	114-1049	114-1049
REV. 27	114-1049	114-1049	114-1049	114-1049	114-1049	114-1049	114-1049	114-1049	114-1049	114-1049
REV. 28	114-1049	114-1049	114-1049	114-1049	114-1049	114-1049	114-1049	114-1049	114-1049	114-1049
REV. 29	114-1049	114-1049	114-1049	114-1049	114-1049	114-1049	114-1049	114-1049	114-1049	114-1049
REV. 30	114-1049	114-1049	114-1049	114-1049	114-1049	114-1049	114-1049	114-1049	114-1049	114-1049
REV. 31	114-1049	114-1049	114-1049	114-1049	114-1049	114-1049	114-1049	114-1049	114-1049	114-1049
REV. 32	114-1049	114-1049	114-1049	114-1049	114-1049	114-1049	114-1049	114-1049	114-1049	114-1049
REV. 33	114-1049	114-1049	114-1049	114-1049	114-1049	114-1049	114-1049	114-1049	114-1049	114-1049
REV. 34	114-1049	114-1049	114-1049	114-1049	114-1049	114-1049	114-1049	114-1049	114-1049	114-1049
REV. 35	114-1049	114-1049	114-1049	114-1049	114-1049	114-1049	114-1049	114-1049	114-1049	114-1049
REV. 36	114-1049	114-1049	114-1049	114-1049	114-1049	114-1049	114-1049	114-1049	114-1049	114-1049
REV. 37	114-1049	114-1049	114-1049	114-1049	114-1049	114-1049	114-1049	114-1049	114-1049	114-1049
REV. 38	114-1049	114-1049	114-1049	114-1049	114-1049	114-1049	114-1049	114-1049	114-1049	114-1049
REV. 39	114-1049	114-1049	114-1049	114-1049	114-1049	114-1049	114-1049	114-1049	114-1049	114-1049
REV. 40	114-1049	114-1049	114-1049	114-1049	114-1049	114-1049	114-1049	114-1049	114-1049	114-1049
REV. 41	114-1049	114-1049	114-1049	114-1049	114-1049	114-1049	114-1049	114-1049	114-1049	114-1049
REV. 42	114-1049	114-1049	114-1049	114-1049	114-1049	114-1049	114-1049	114-1049	114-1049	114-1049
REV. 43	114-1049	114-1049	114-1049	114-1049	114-1049	114-1049	114-1049	114-1049	114-1049	114-1049
REV. 44	114-1049	114-1049	114-1049	114-1049	114-1049	114-1049	114-1049	114-1049	114-1049	114-1049
REV. 45	114-1049	114-1049	114-1049	114-1049	114-1049	114-1049	114-1049	114-1049	114-1049	114-1049
REV. 46	114-1049	114-1049	114-1049	114-1049	114-1049	114-1049	114-1049	114-1049	114-1049	114-1049
REV. 47	114-1049	114-1049	114-1049	114-1049	114-1049	114-1049	114-1049	114-1049	114-1049	114-1049
REV. 48	114-1049	114-1049	114-1049	114-1049	114-1049	114-1049	114-1049	114-1049	114-1049	114-1049
REV. 49	114-1049	114-1049	114-1049	114-1049	114-1049	114-1049	114-1049	114-1049	114-1049	114-1049
REV. 50	114-1049	114-1049	114-1049	114-1049	114-1049	114-1049	114-1049	114-1049	114-1049	114-1049