

Excellent Integrated System Limited

Stocking Distributor

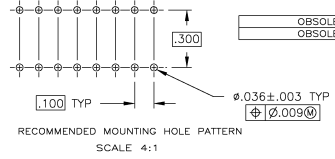
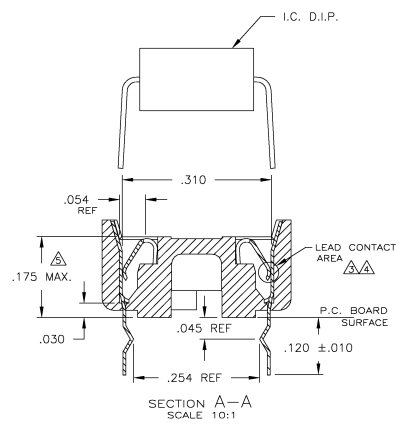
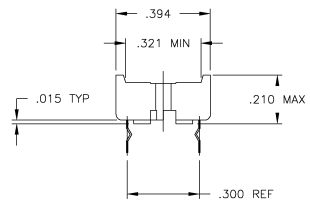
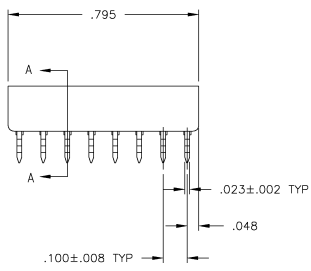
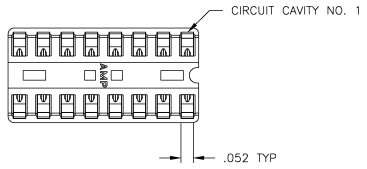
Click to view price, real time Inventory, Delivery & Lifecycle Information:

[TE Connectivity AMP Connectors](#)
[2-641262-1](#)

For any questions, you can email us directly:

sales@integrated-circuit.com

1. RECEPTACLE ACCEPTS A .008-.014 THICK I.C. LEAD.
2. TUBE LOADED.
- △ TWO .000030 MIN THK. GOLD STRIPES IN CONTACT AREA WITH TIN-LEAD (93/7) ON CONTACT LEGS, BALANCE OF CONTACT NICKEL PLATED.
- △ TWO .000015 MIN THK. GOLD STRIPES IN CONTACT AREA WITH TIN-LEAD (93/7) ON CONTACT LEGS, BALANCE OF CONTACT NICKEL PLATED.
- △ MAXIMUM DIMENSION FOR I.C. SEATING PLANE.



△	PHOS.BRZ. .008 THK	GLASS-FILLED THERMOPLASTIC, 94V-0, BLACK	2-641262-4
△	TINNED	GLASS-FILLED THERMOPLASTIC, 94V-0, BLACK	2-641262-3
△	PHOS.BRZ. .008 THK	GLASS-FILLED THERMOPLASTIC, 94V-0, BLACK	2-641262-2
△	TINNED	GLASS-FILLED THERMOPLASTIC, 94V-0, BLACK	2-641262-1
	CONTACT FINISH	HOUSING MATERIAL	PART NO.
THIS DRAWING IS A CONTROLLED DOCUMENT			
DESIGNED BY	DATE	REVISED BY	REVISED DATE
108-1066	114-1049	A1	00779
SEE TABLE	SEE TABLE	CUSTOMER DRAWING	SCALE S:1